

Tasman Recovering Instructions



Two people required for safe assembly

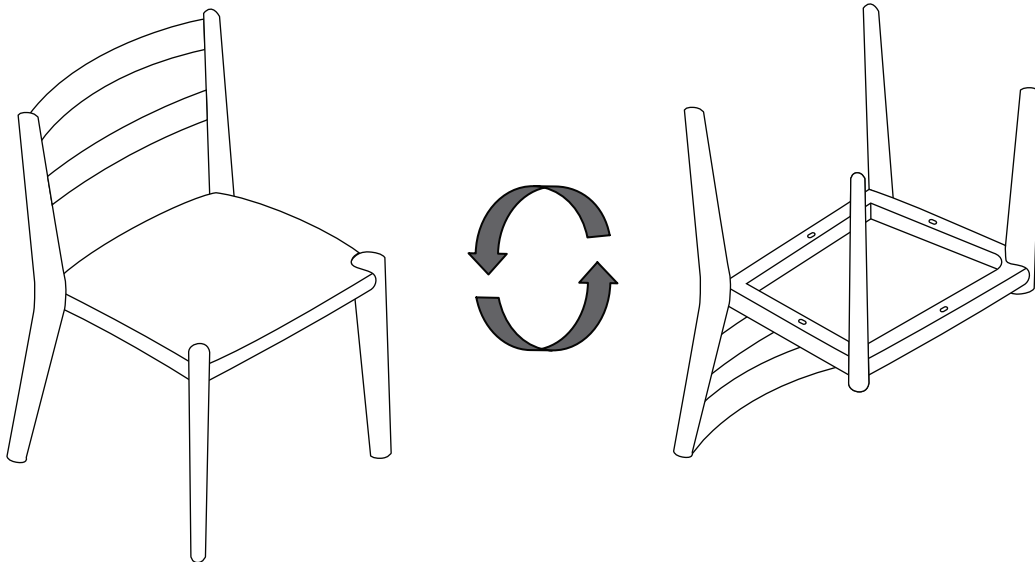
Opening Boxes: DO NOT use a knife to open the packaging as you may damage your furniture. Peel-off the tape, then lift and separate the cardboard flaps to open.

Please follow these Assembly | User Guide Instructions

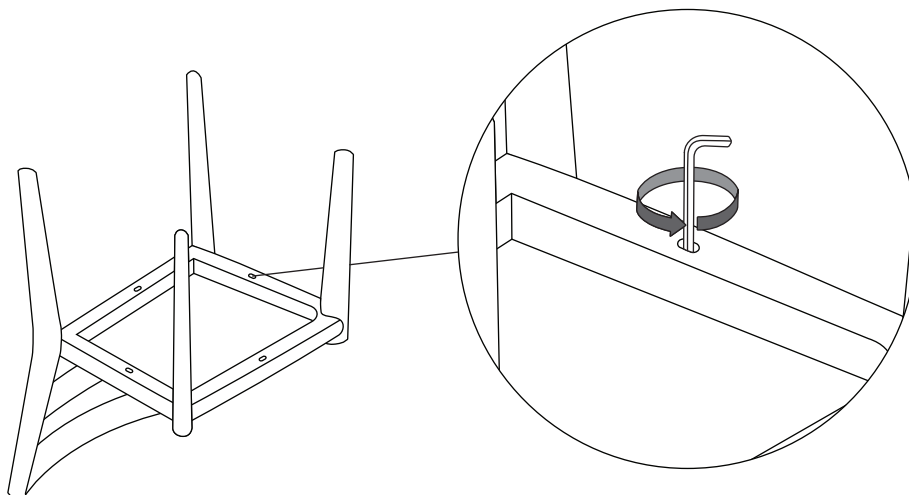
Product Care

1

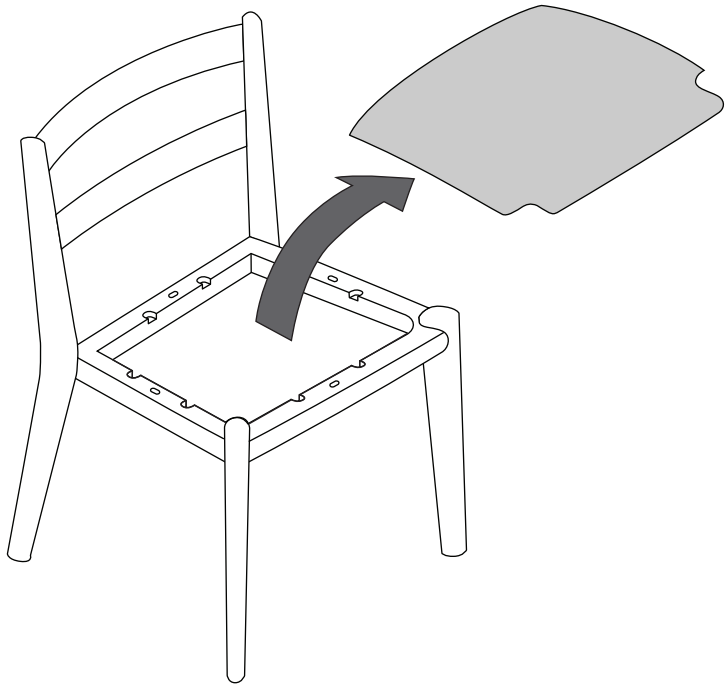
Cover Removal



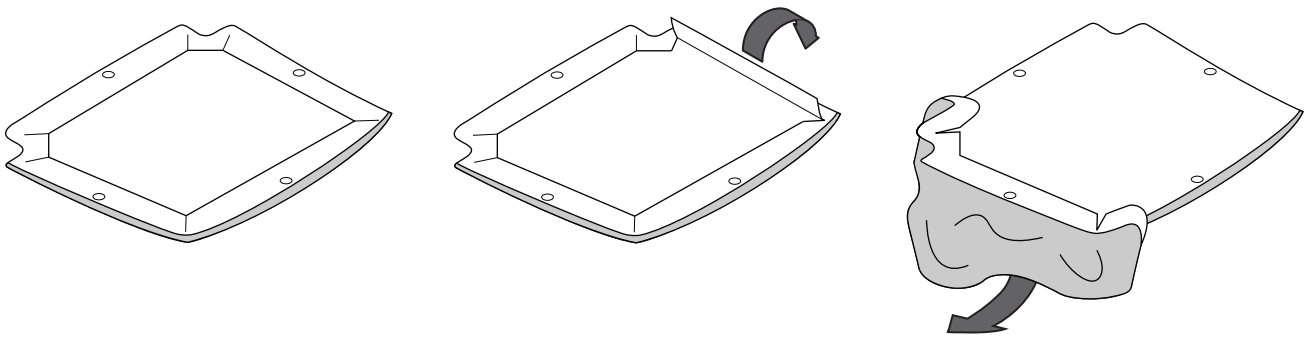
2



3

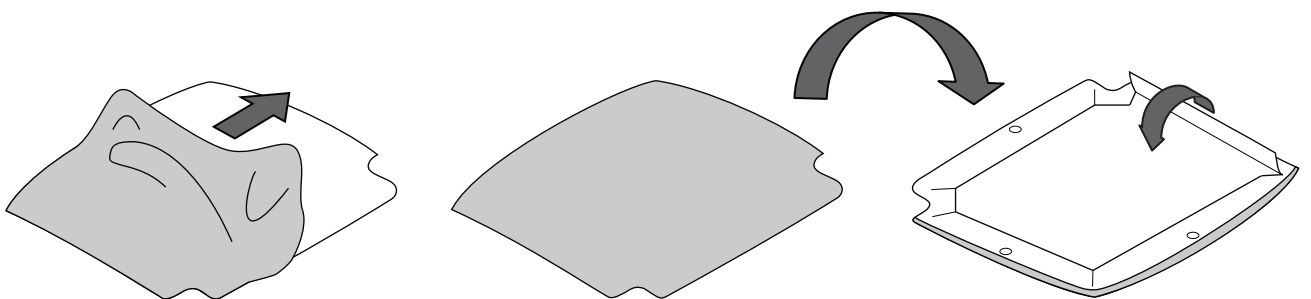


4

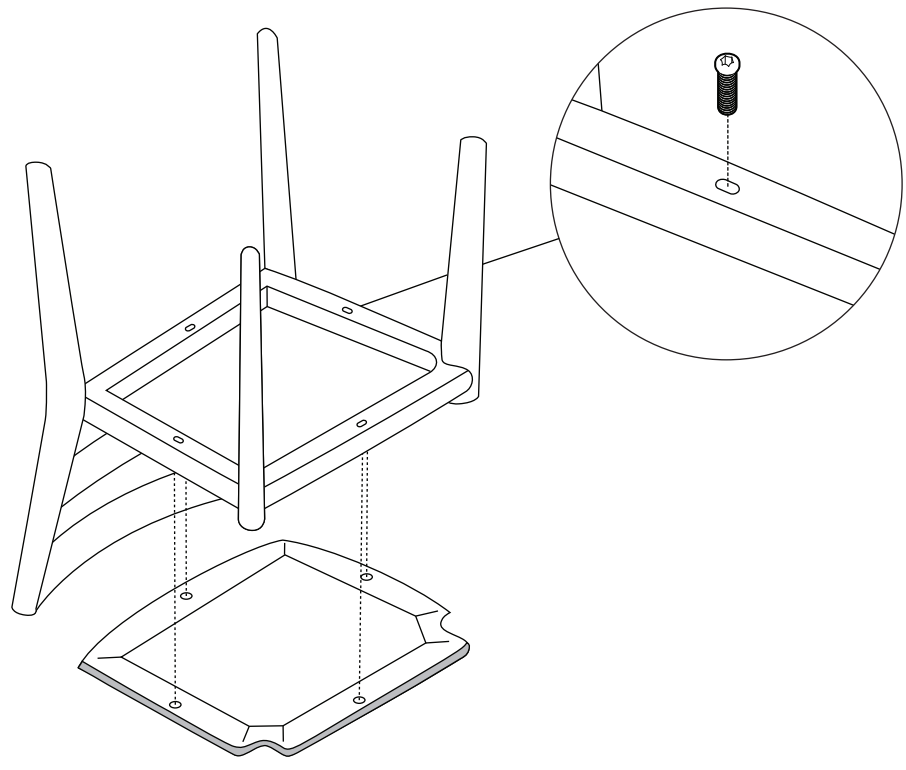
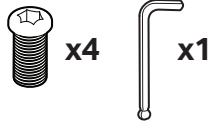


5

Cover Installation



6



7

