

# Jasper Bed with Timber Shelves

## Assembly

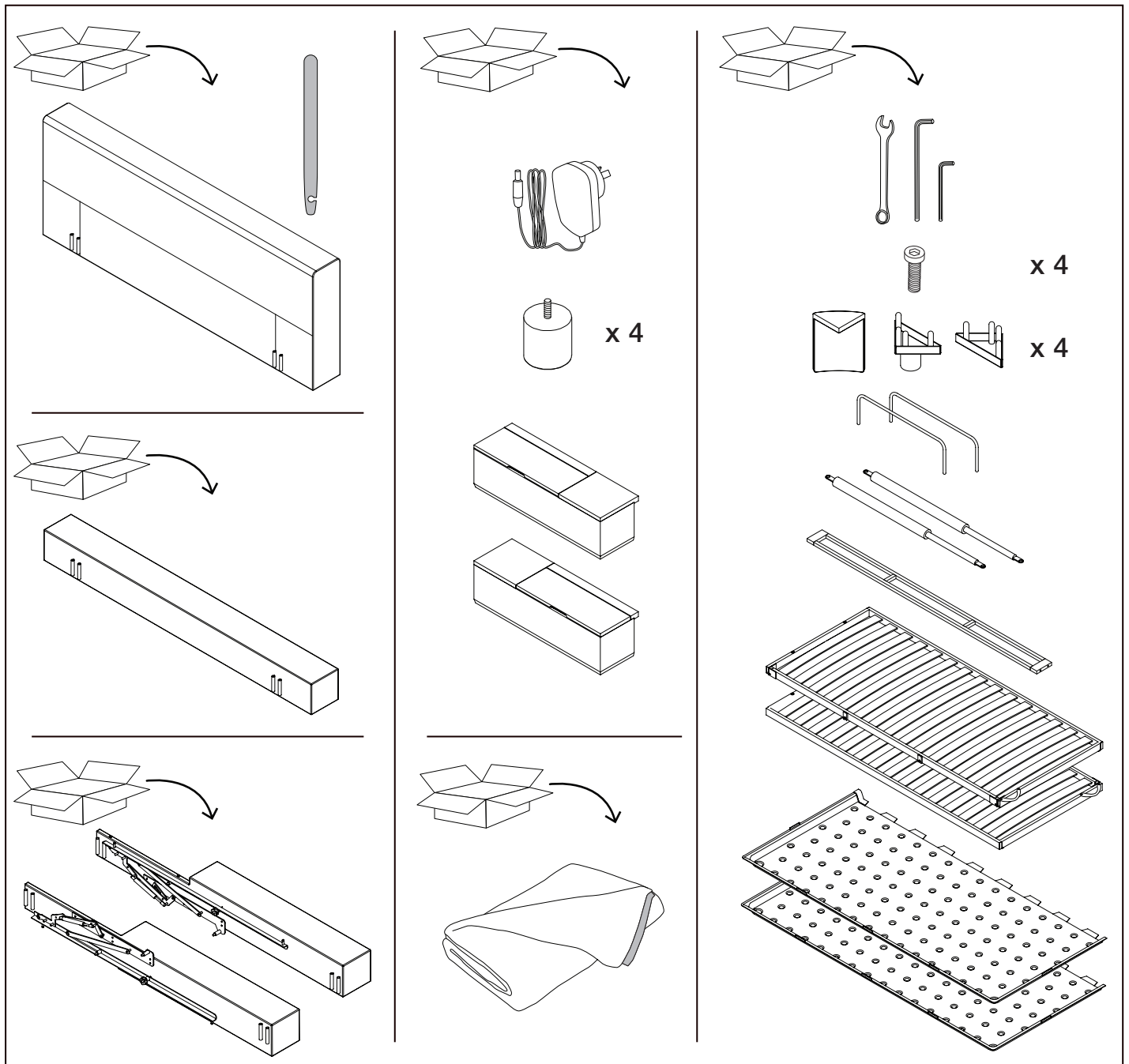
# KING

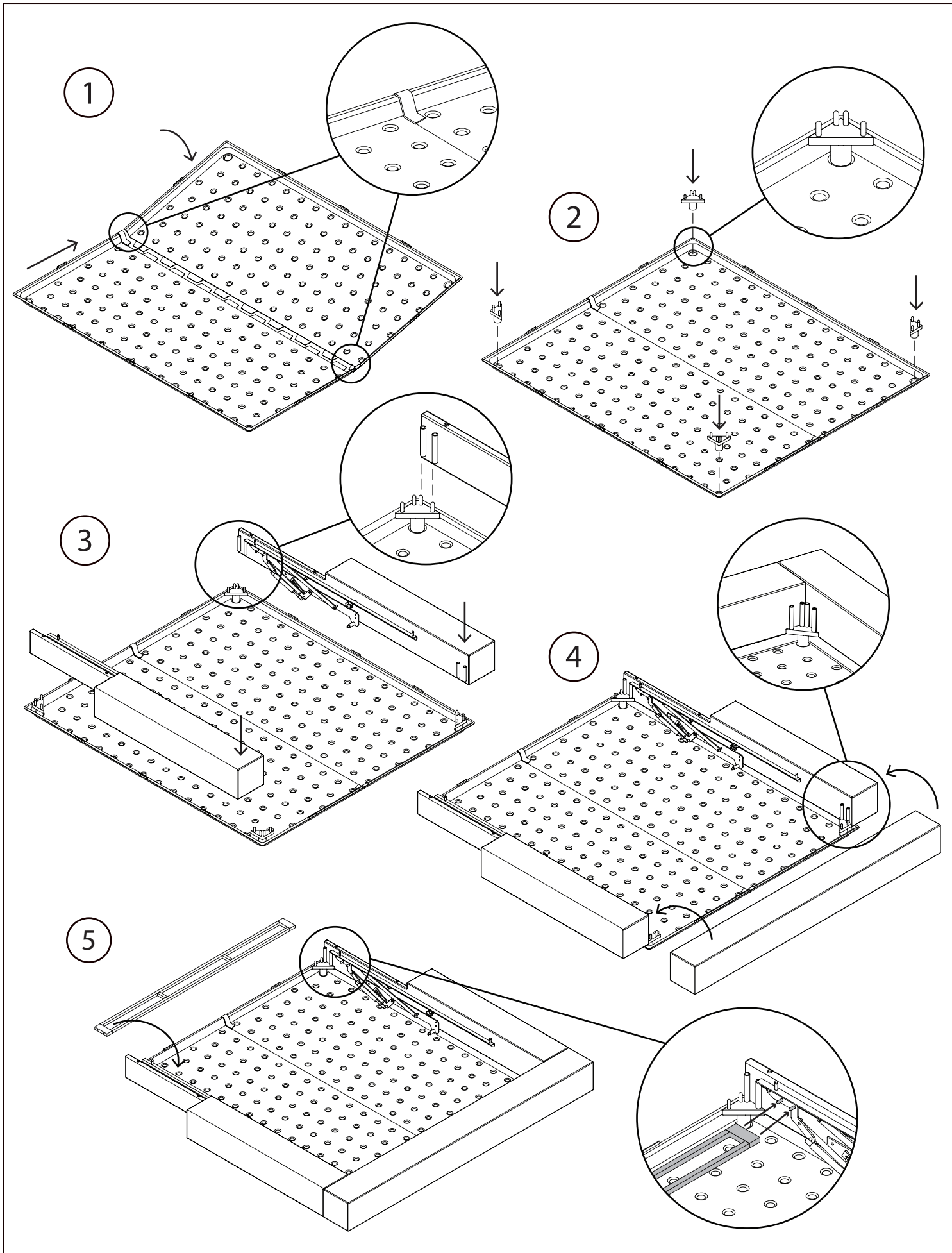
Two People are required for Safe Assembly.

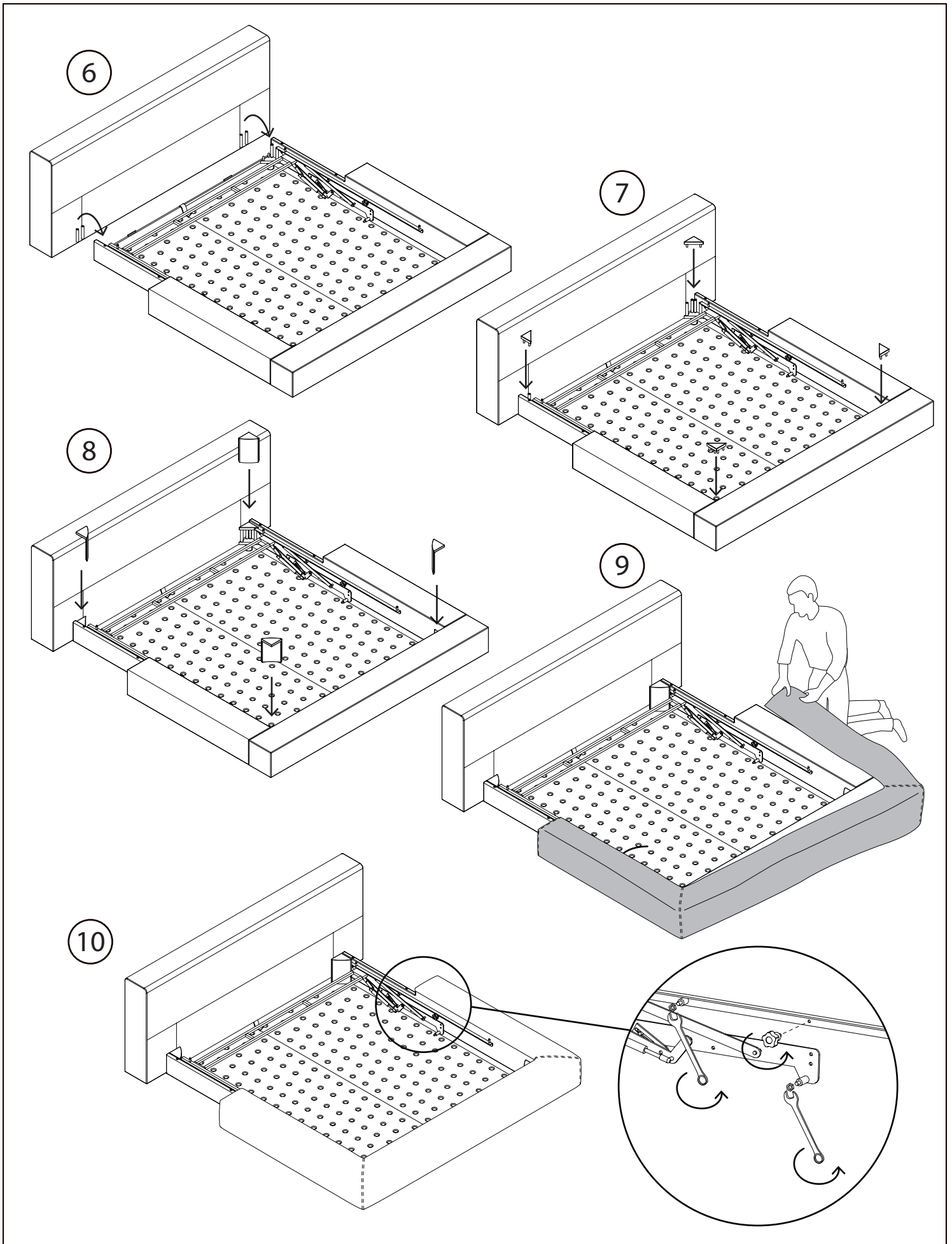
### Opening Boxes:

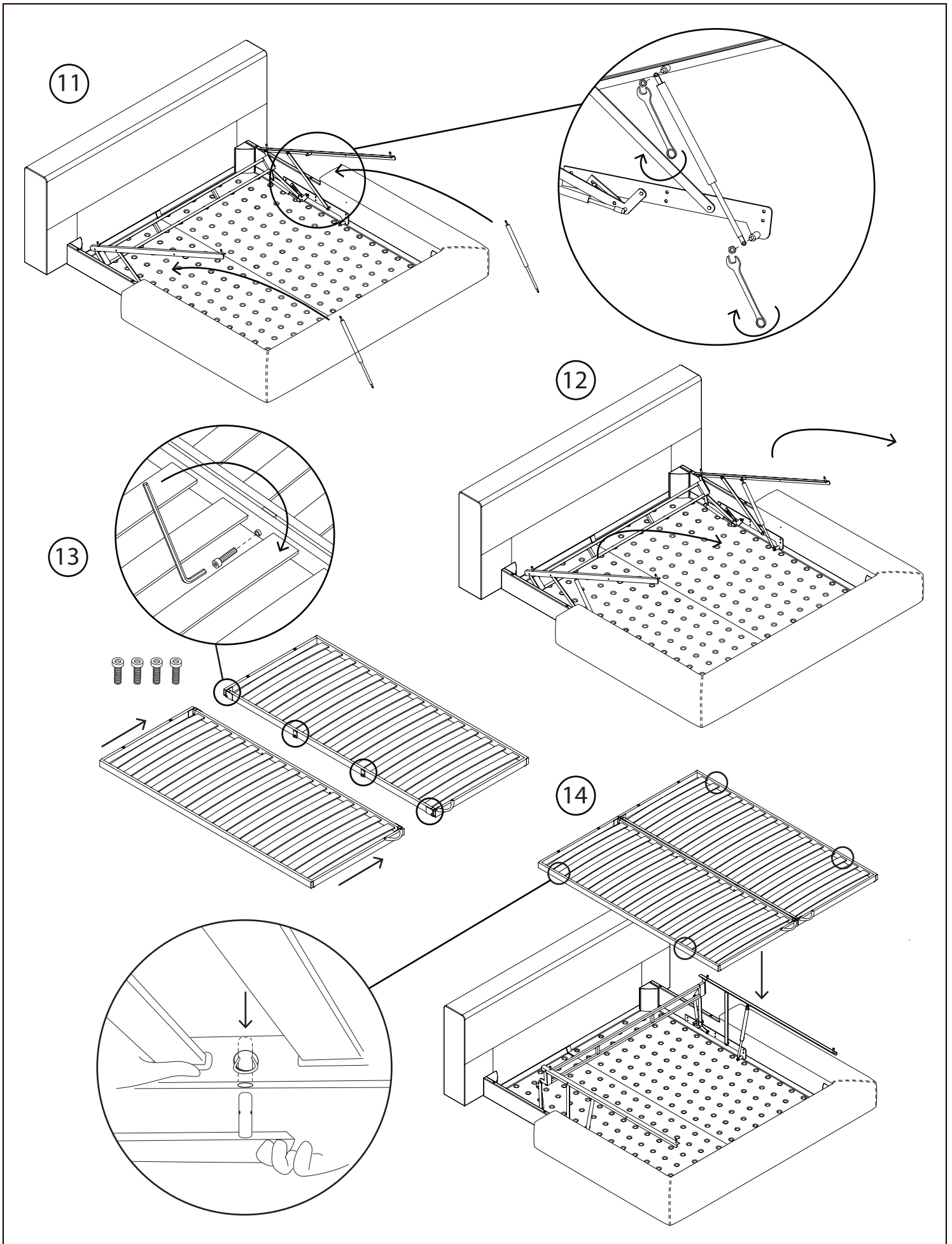
DO NOT use a knife to open the King Living boxes as you may damage your furniture. Peel off the tape, then lift & separate the cardboard flaps to open.

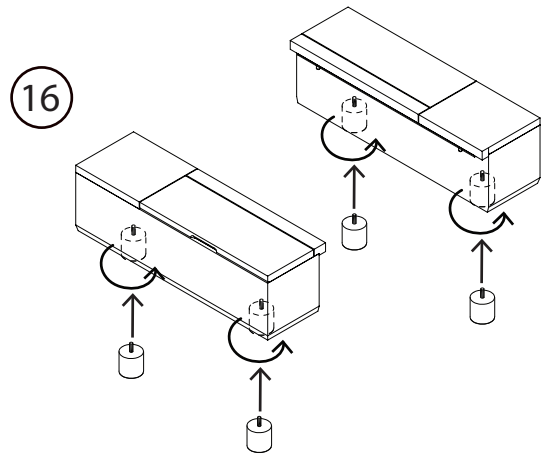
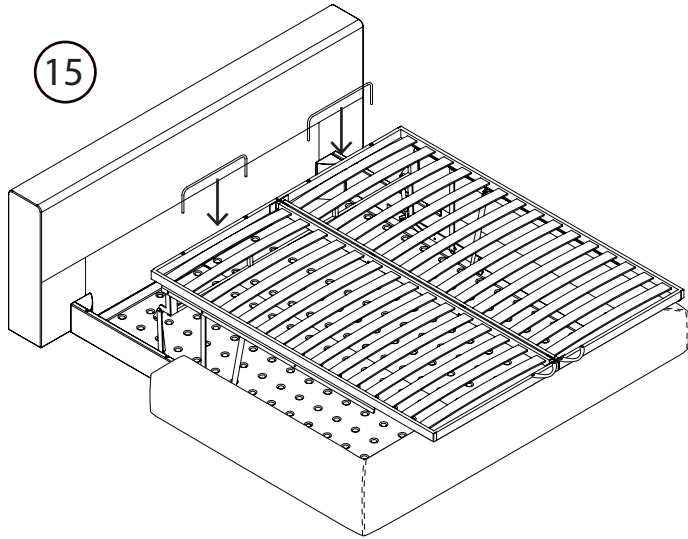
Assemble your furniture by following the instructions below.



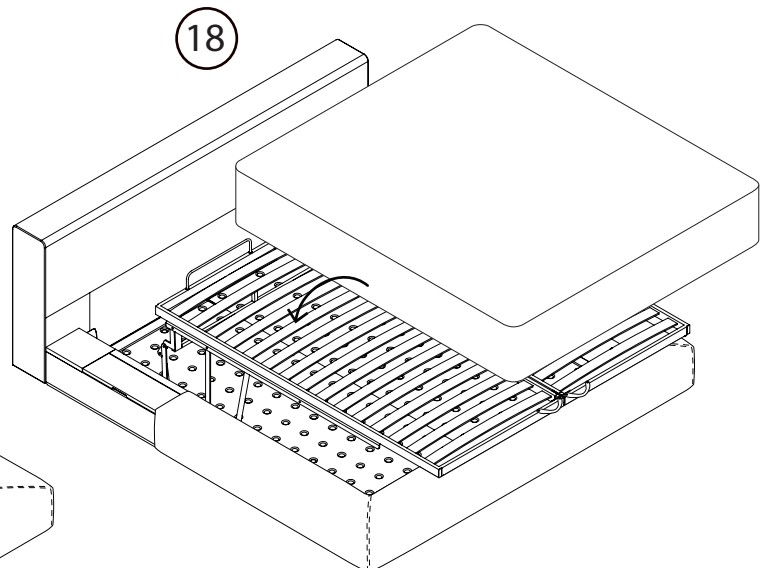
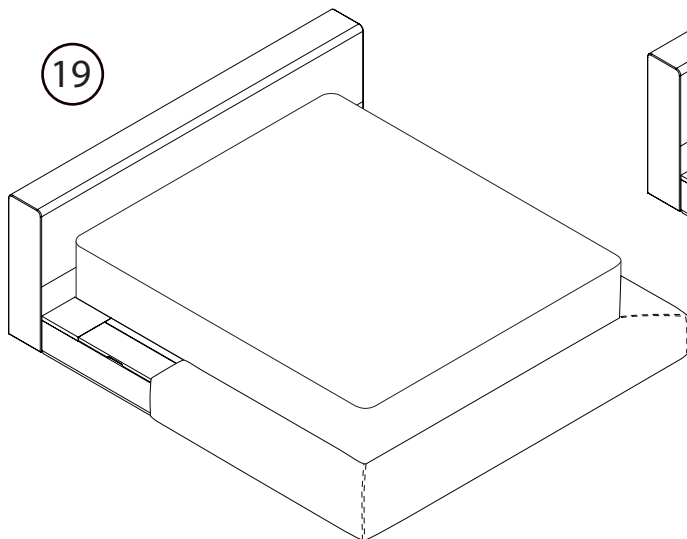
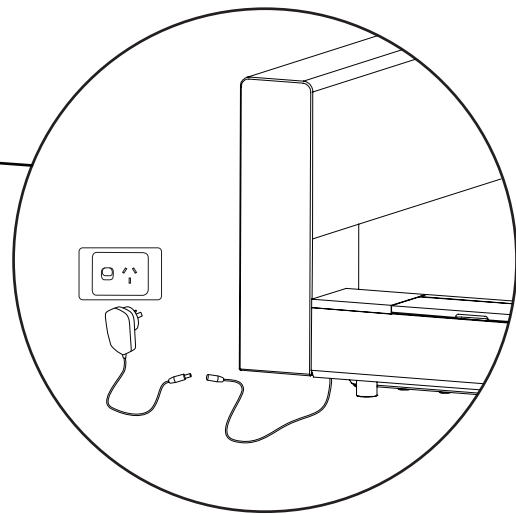
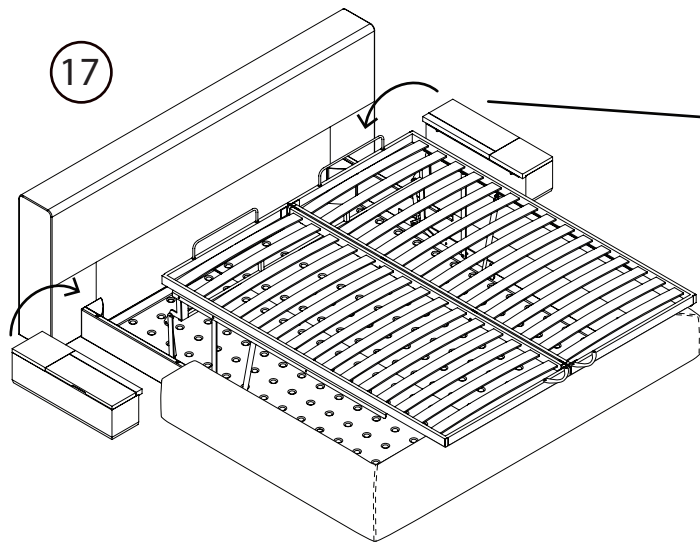




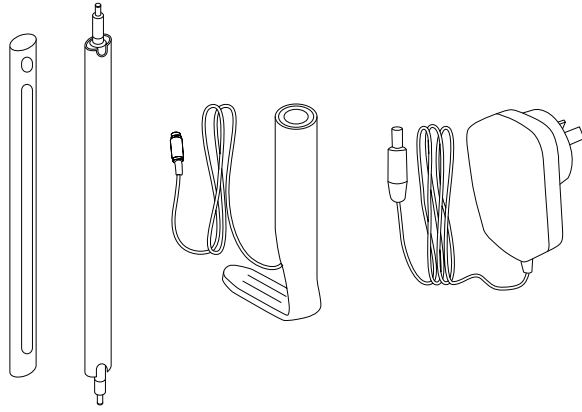
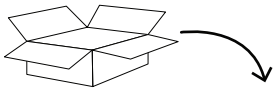




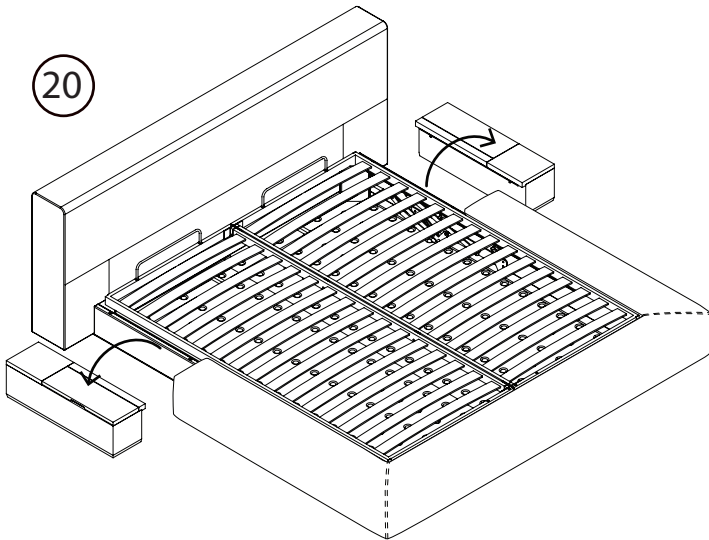
For charging shelf versions:



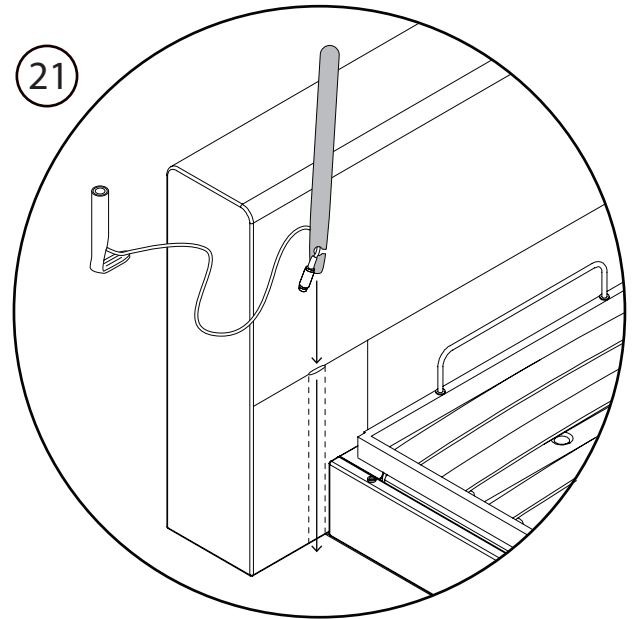
# To use Lume light on bed head



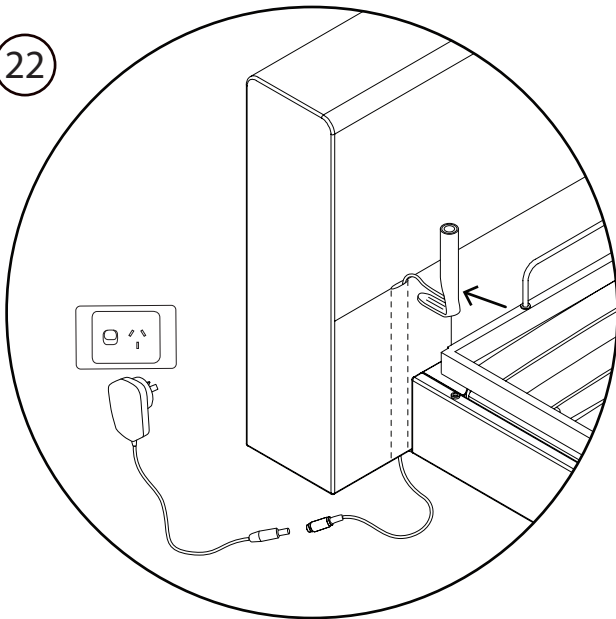
20



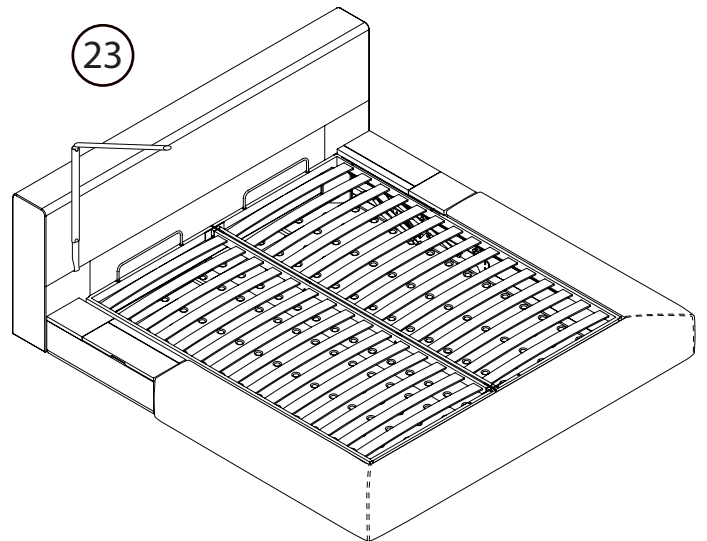
21



22



23





# Jasper Bed Soft without Timber Shelves

# K I N G

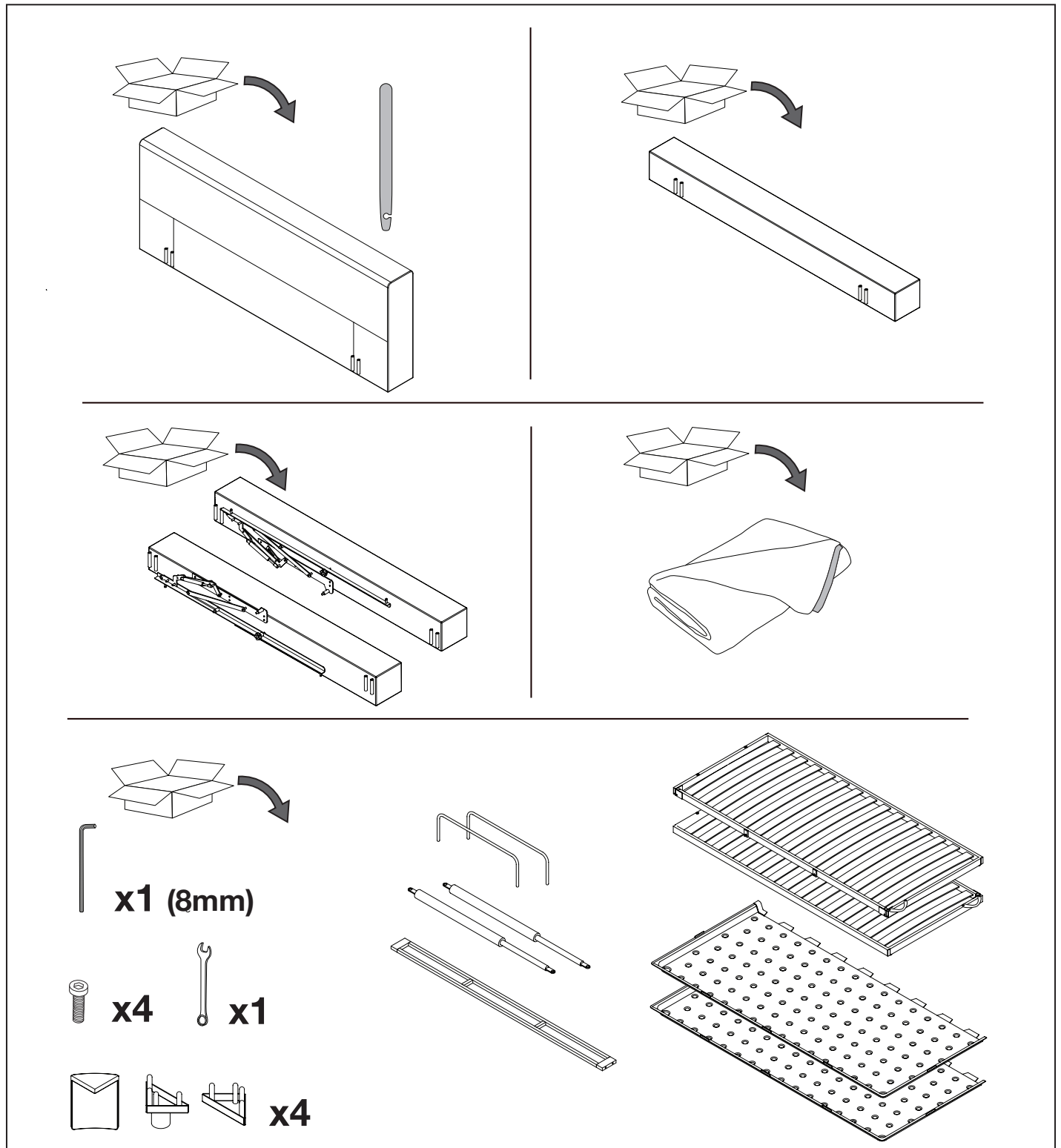
## Assembly

Two People are required for Safe Assembly.

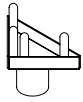
### Opening Boxes:

DO NOT use a knife to open the King boxes as you may damage your furniture. Peel off the tape, then lift & separate the cardboard flaps to open.

Assemble your furniture by following the instructions below.

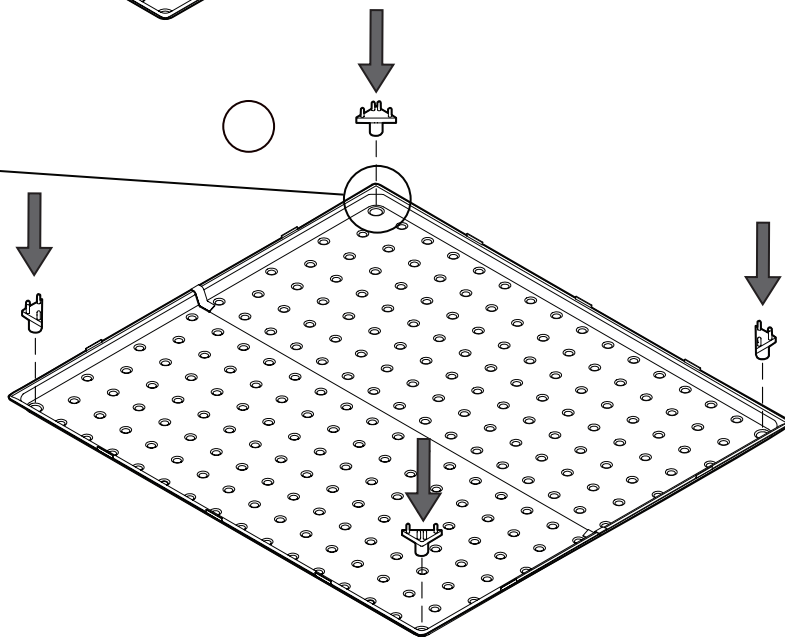
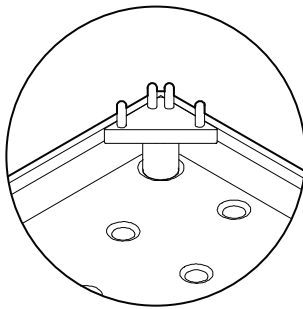
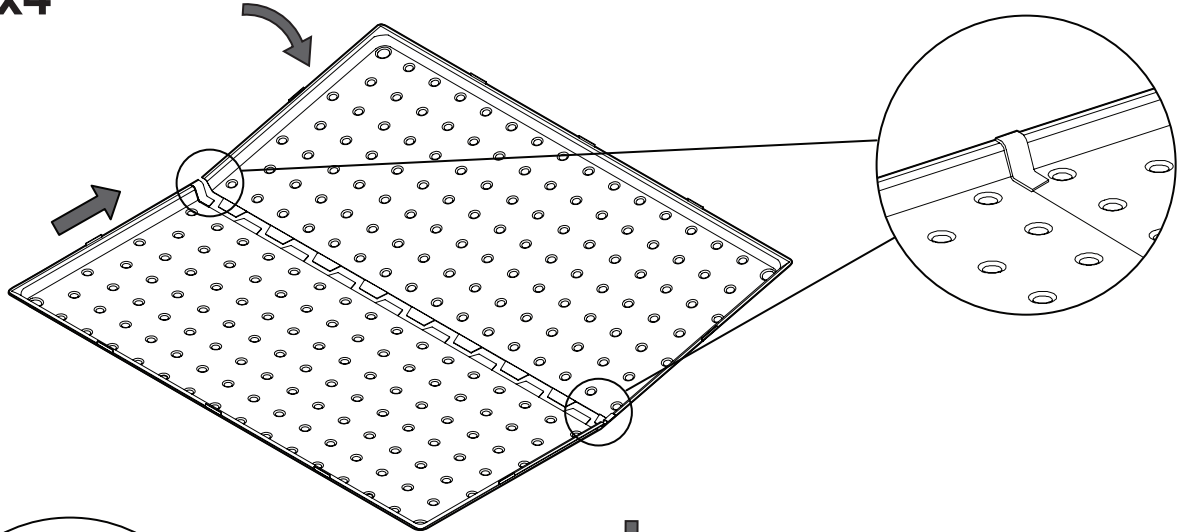


1

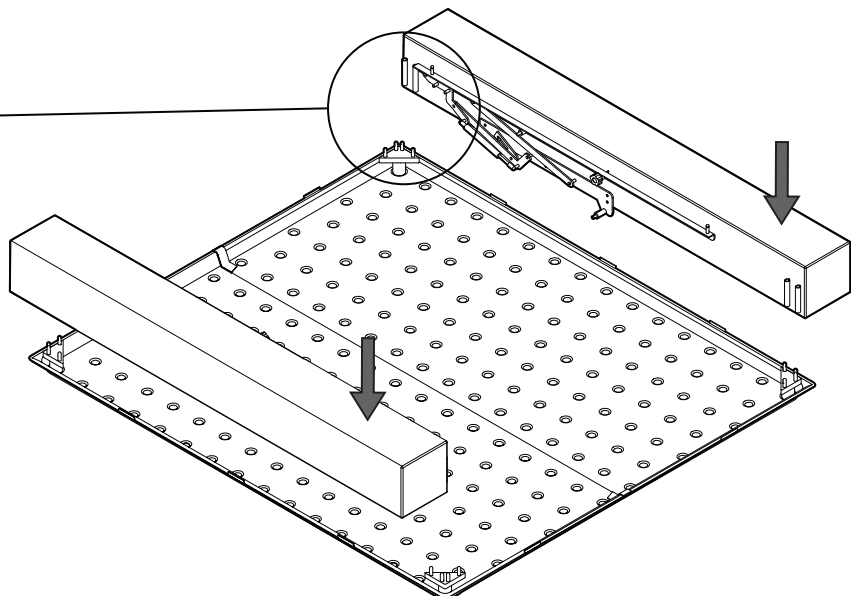
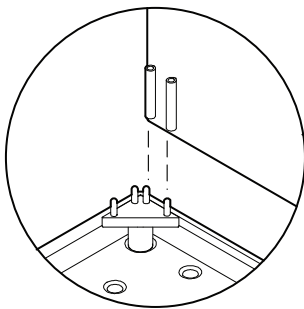


x4

a

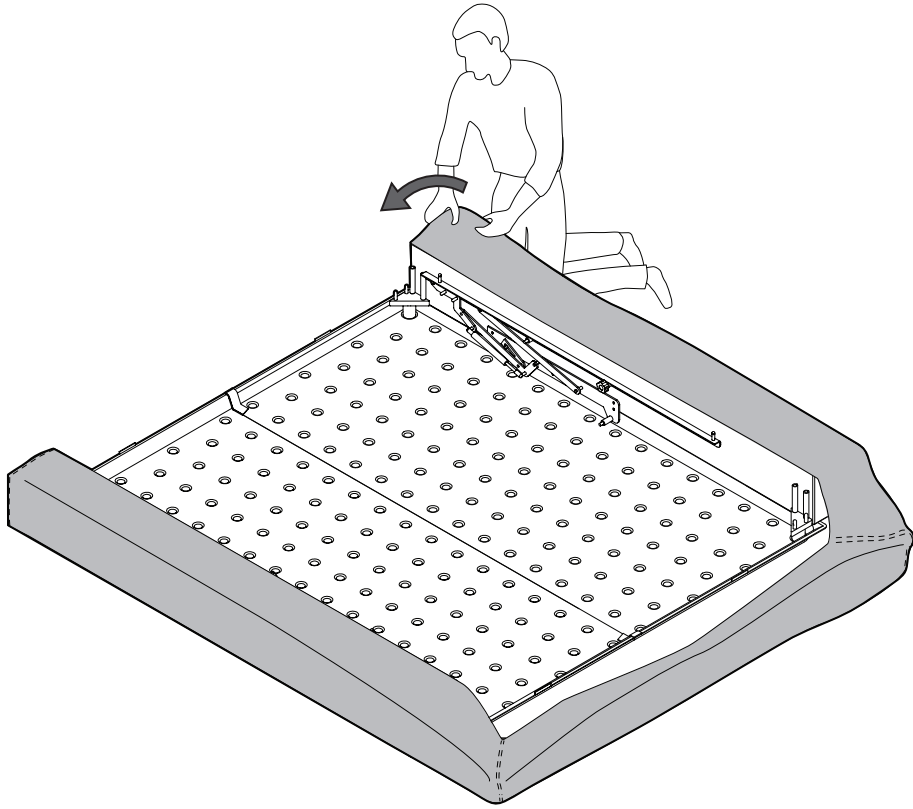


2





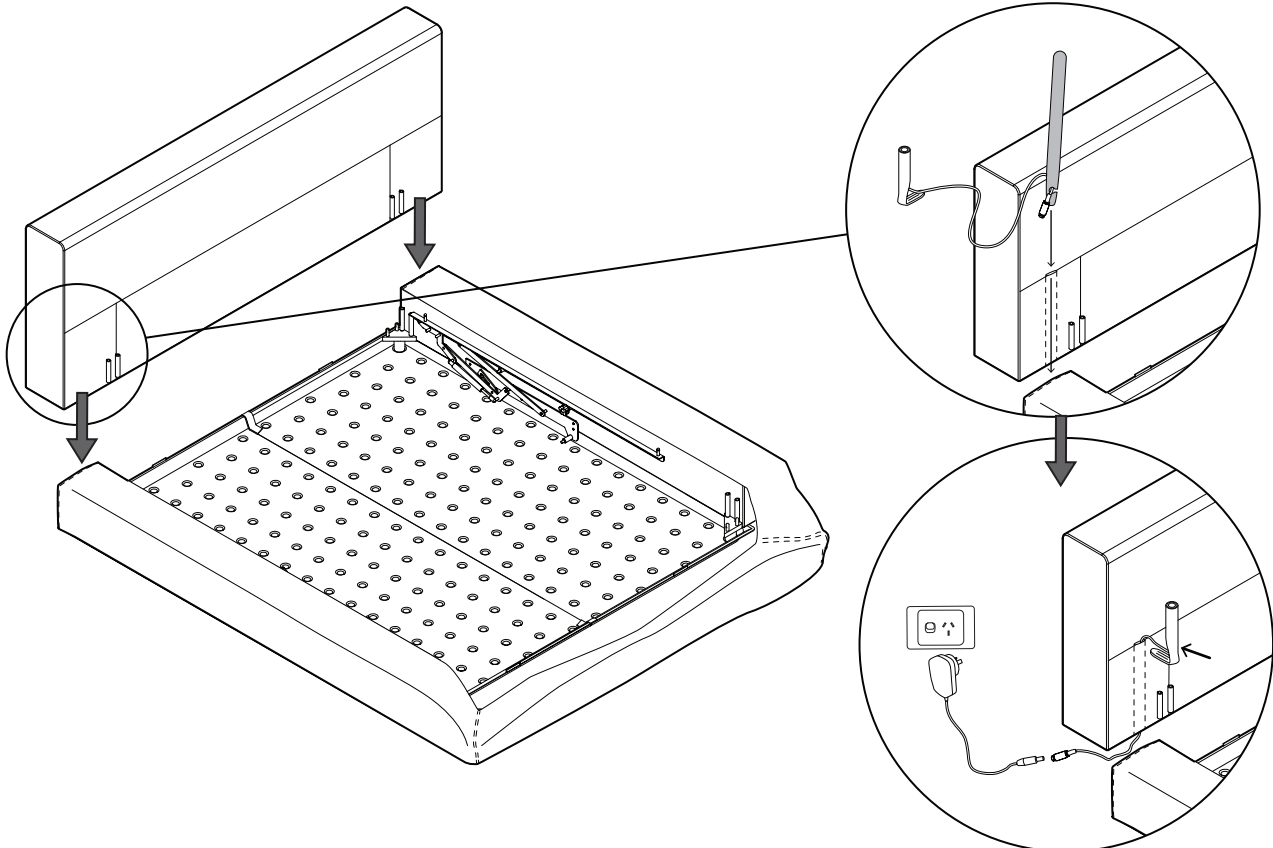
3



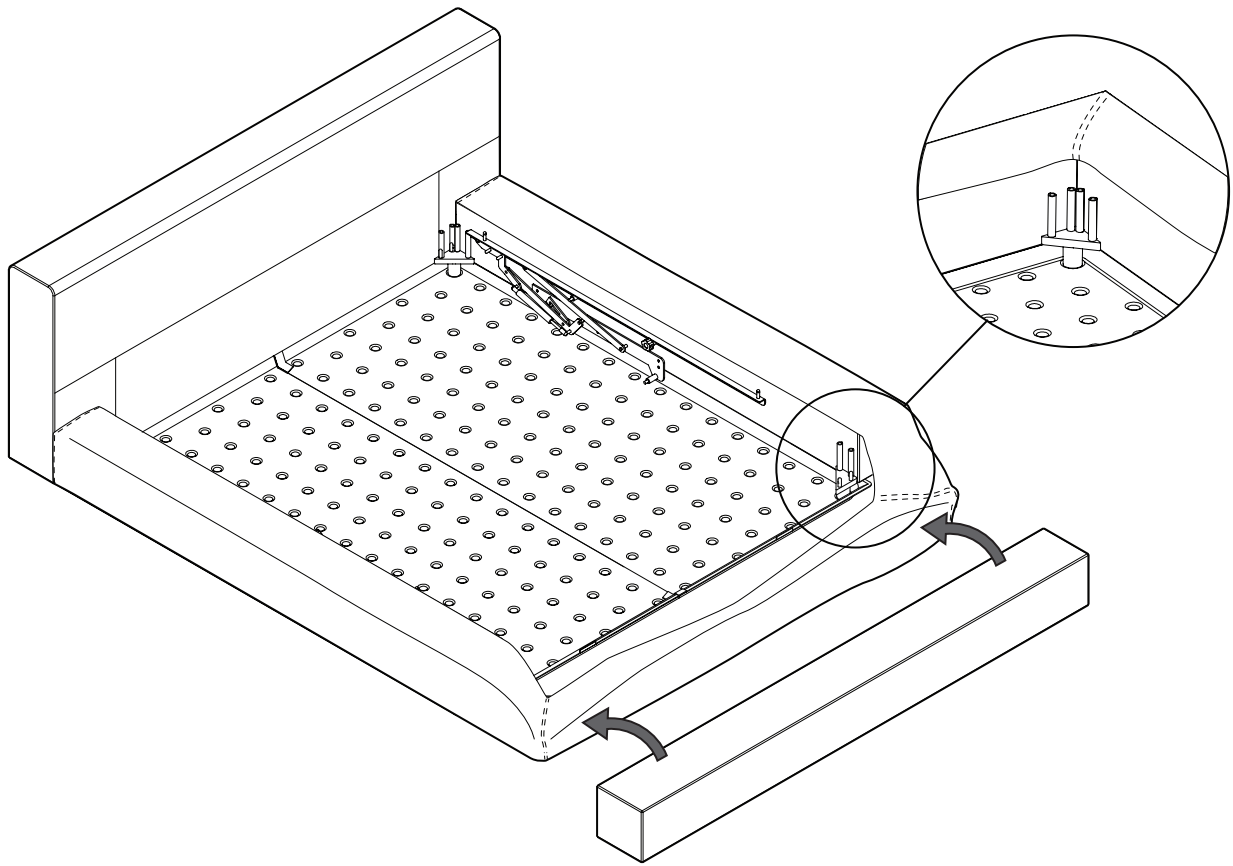
4

### Optional Smart Accessory Addition

\*See Smart Accessory Assembly Instructions for additional steps



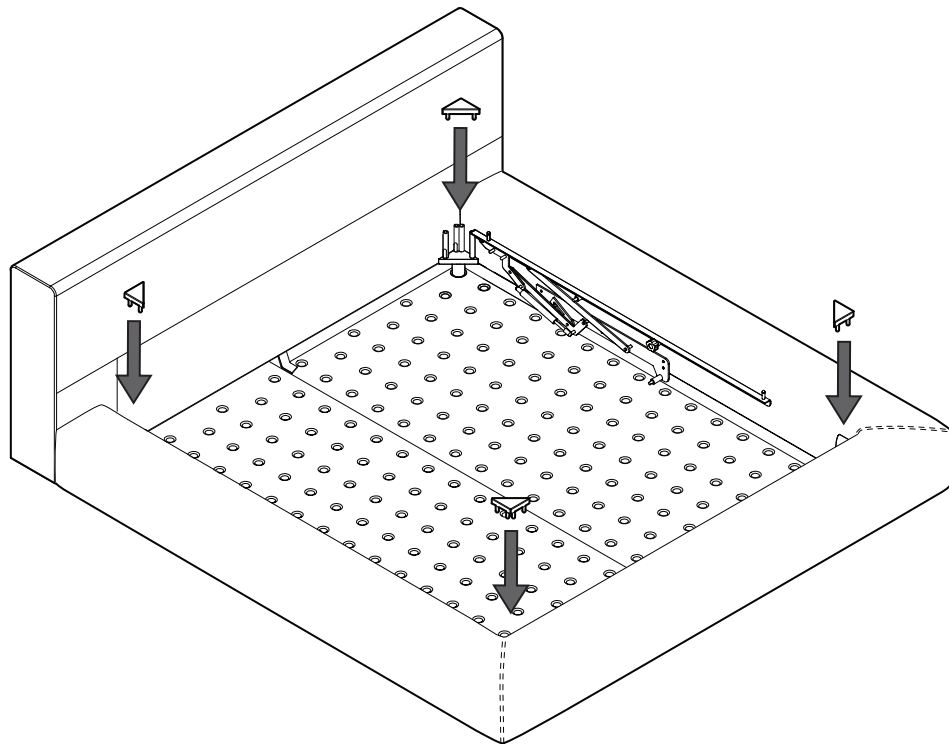
5



6



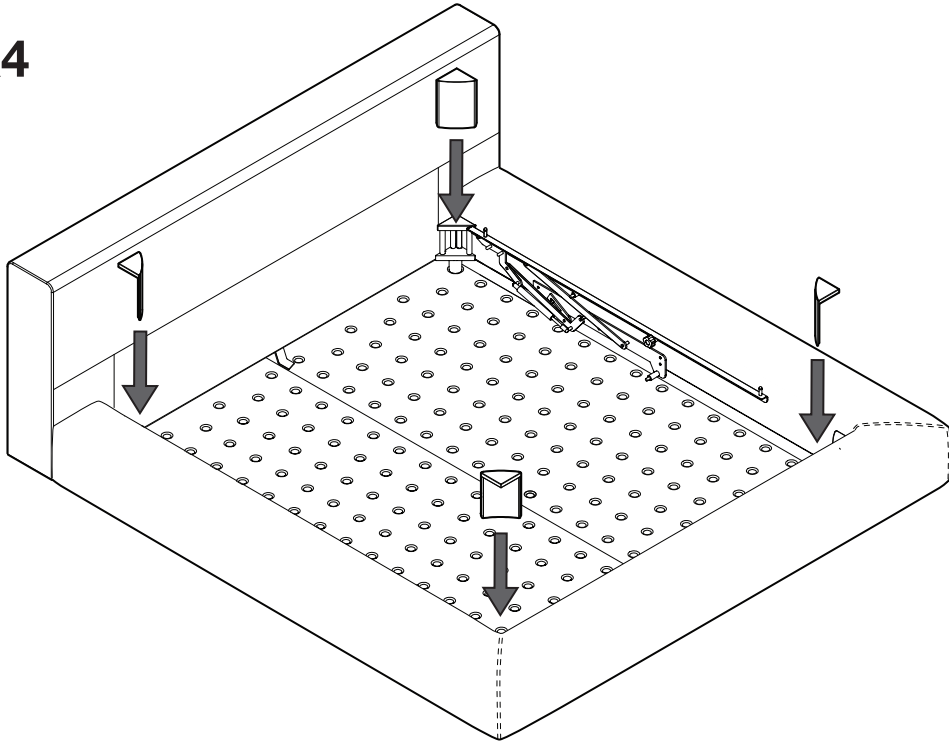
x4



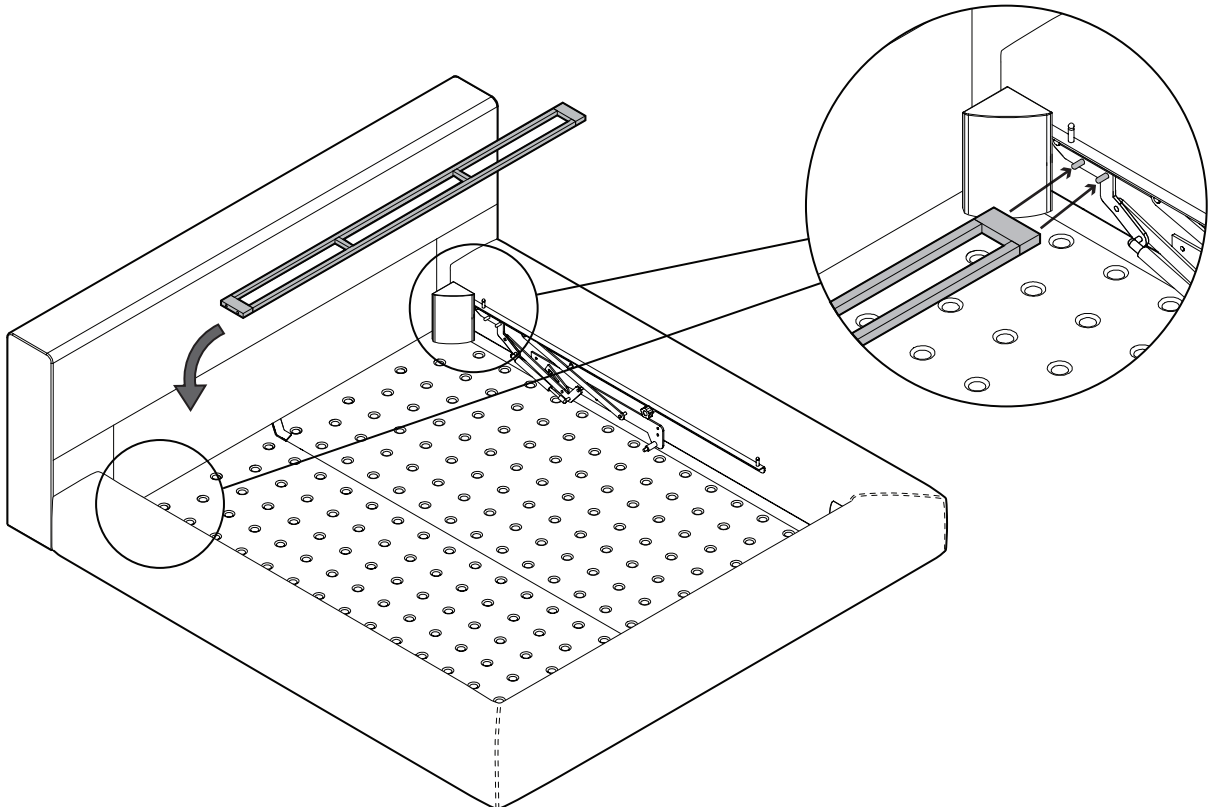
7



x4



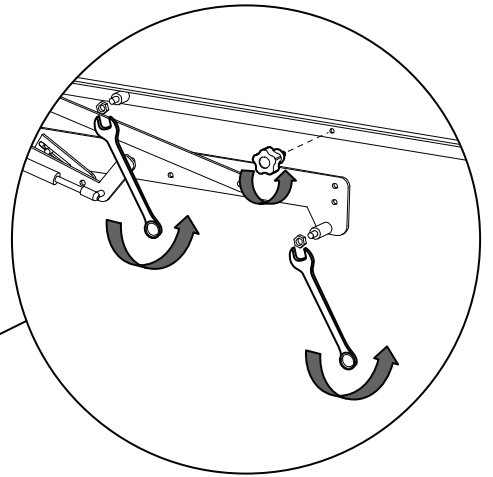
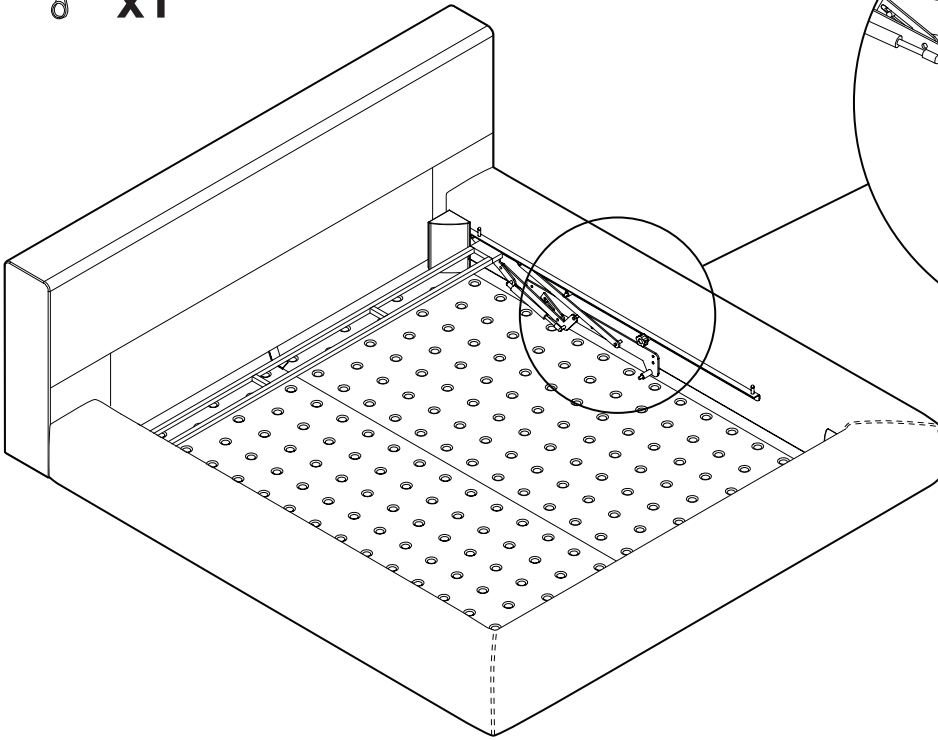
8



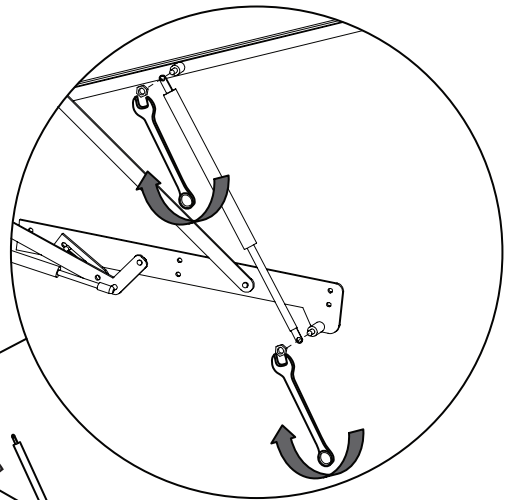
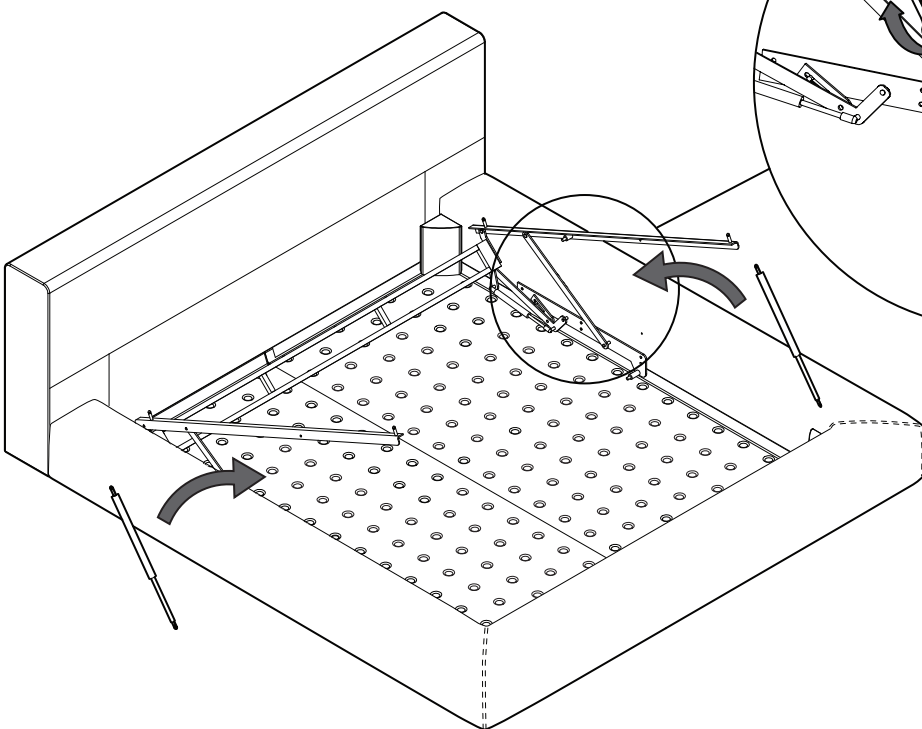
9



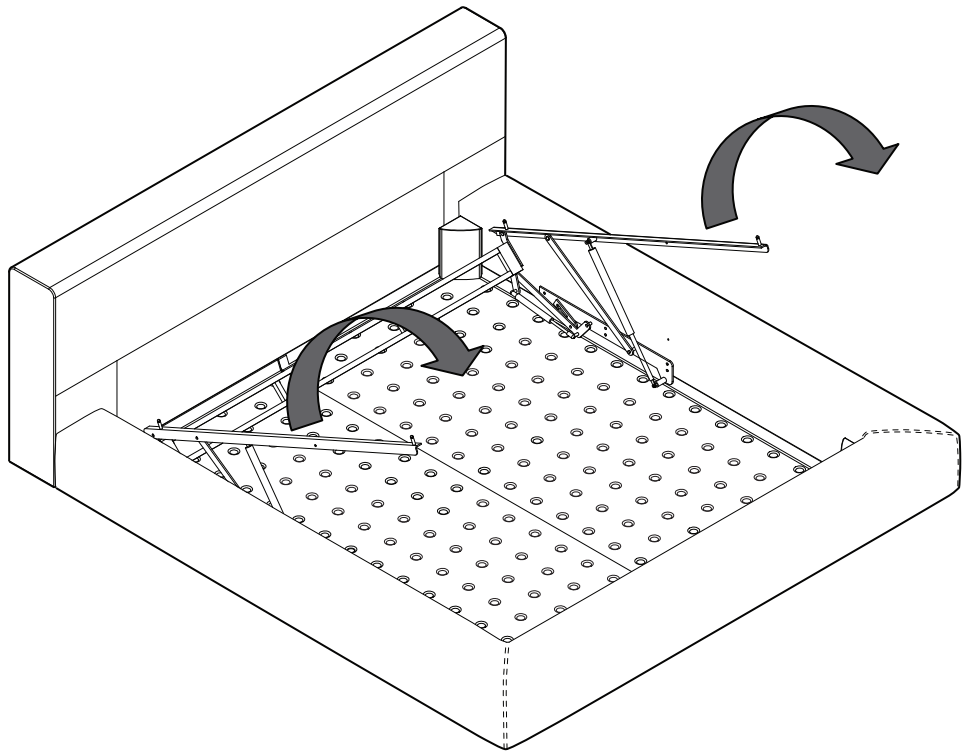
x1



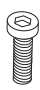

10

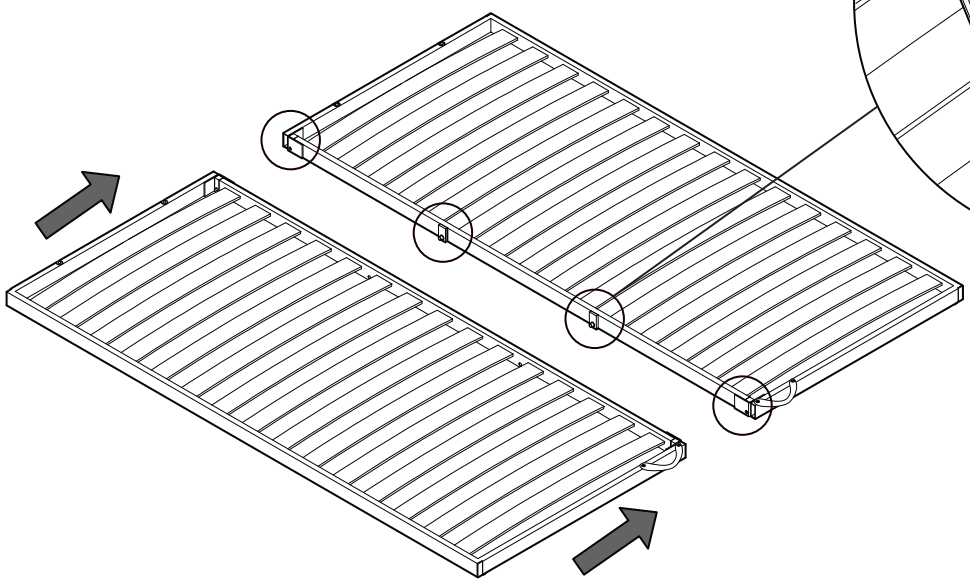
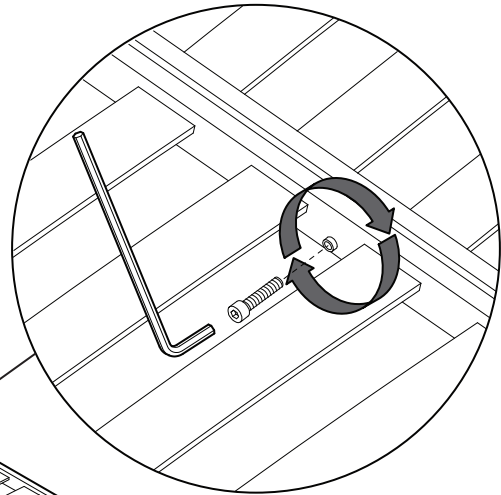


11

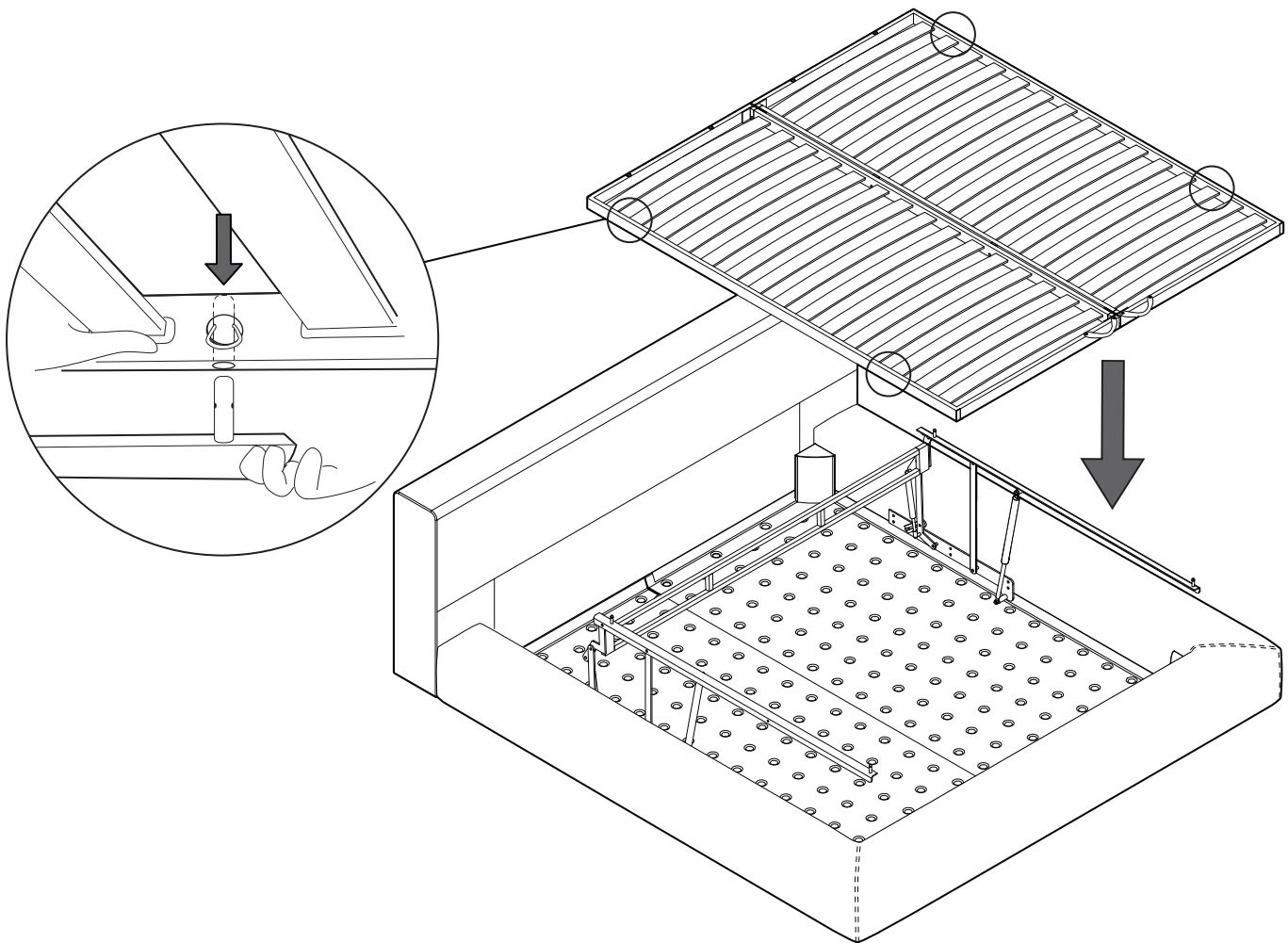


12

-  **x4**
-  **x1 (8mm)**



13



14

