

1978 High Back Sofa Assembly | User Guide



Product Care

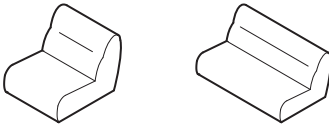
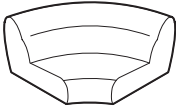
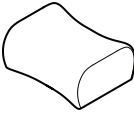
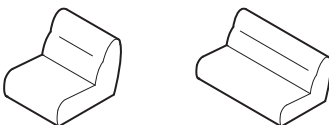

Two people required for safe assembly

Opening Boxes: DO NOT use a knife to open the packaging as you may damage your furniture. Peel-off the tape, then lift and separate the cardboard flaps to open.

Please follow these Assembly | User Guide Instructions

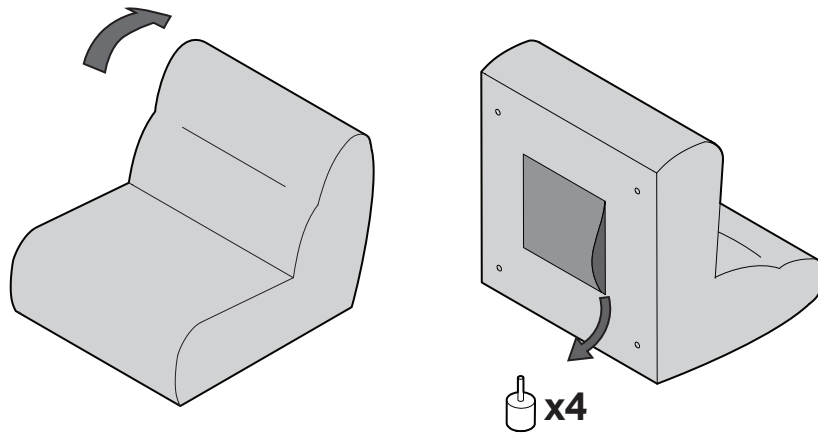


Contents

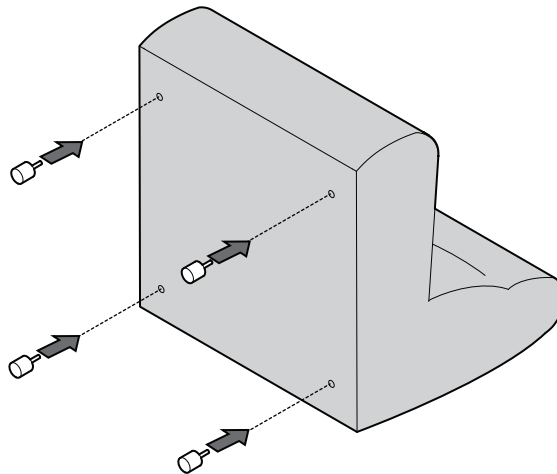
Assembly	3
Recovering Instructions	
Chair 2-Seater 	4
Curve 	10
Ottoman 	15
Arm Installation	
Chair 2-Seater 	20
Curve 	22

Assembly

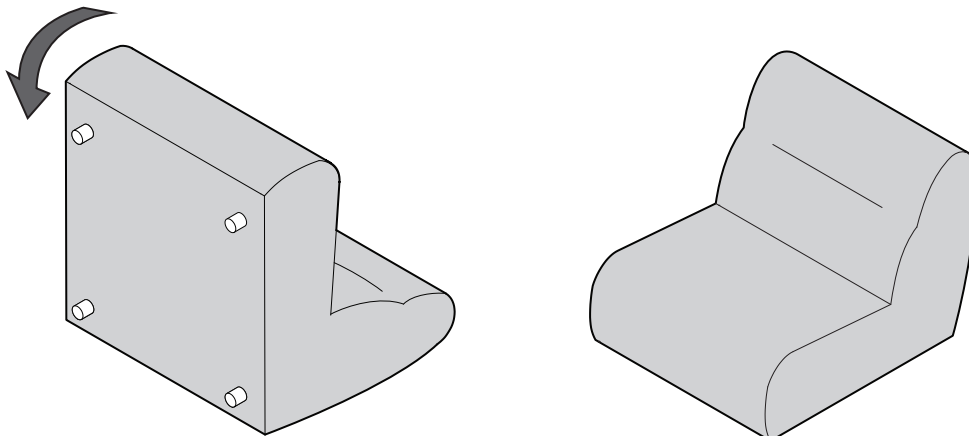
1



2

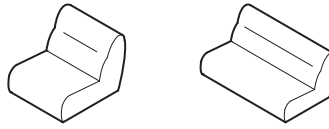


3

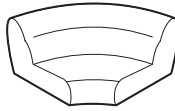


Recovering Instructions

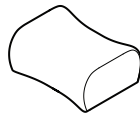
See Instruction Steps: Chair | 2-Seater



See Instruction Steps: Curve

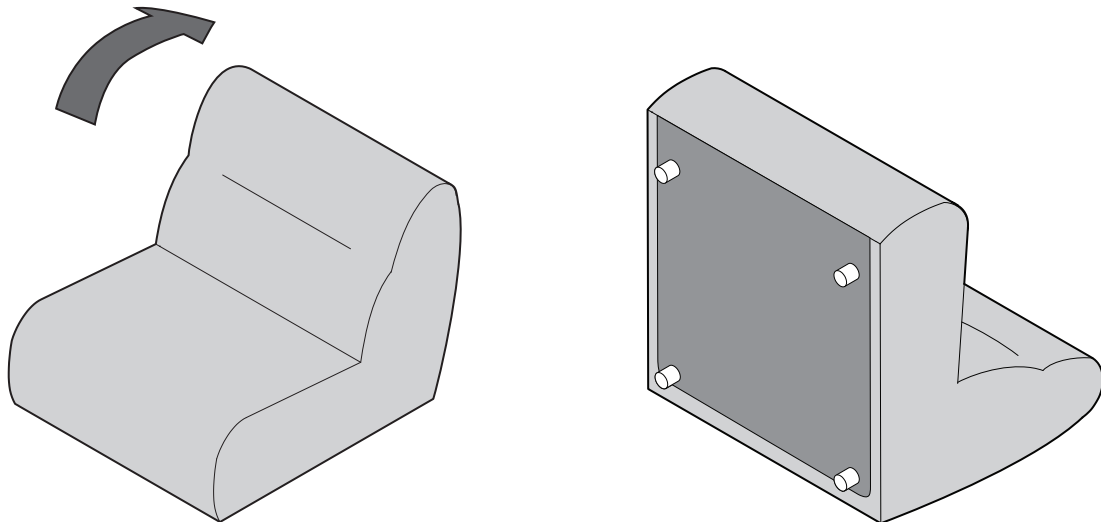


See Instruction Steps: Ottoman

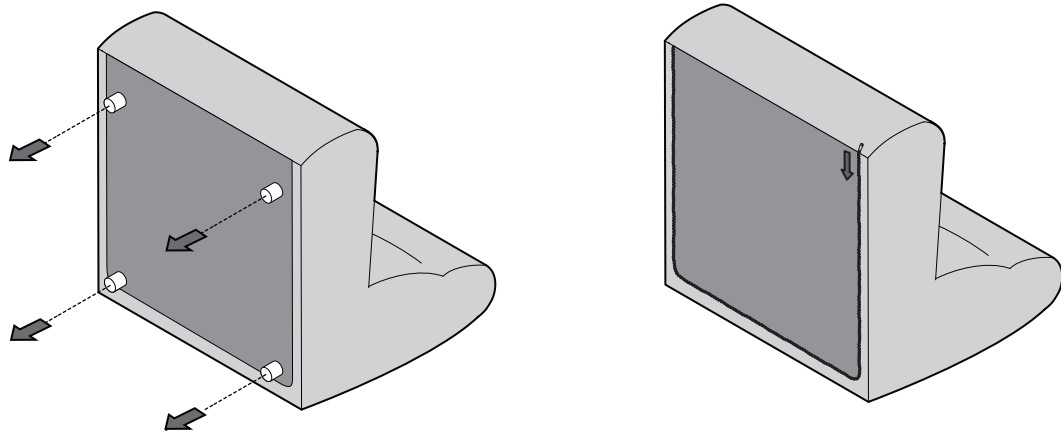


Cover Removal: Chair | 2-Seater

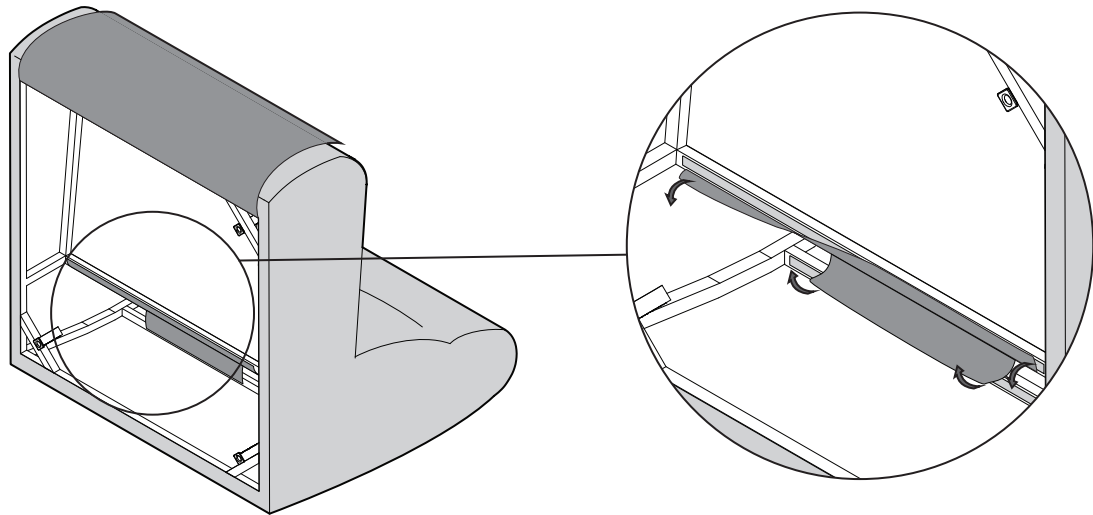
1



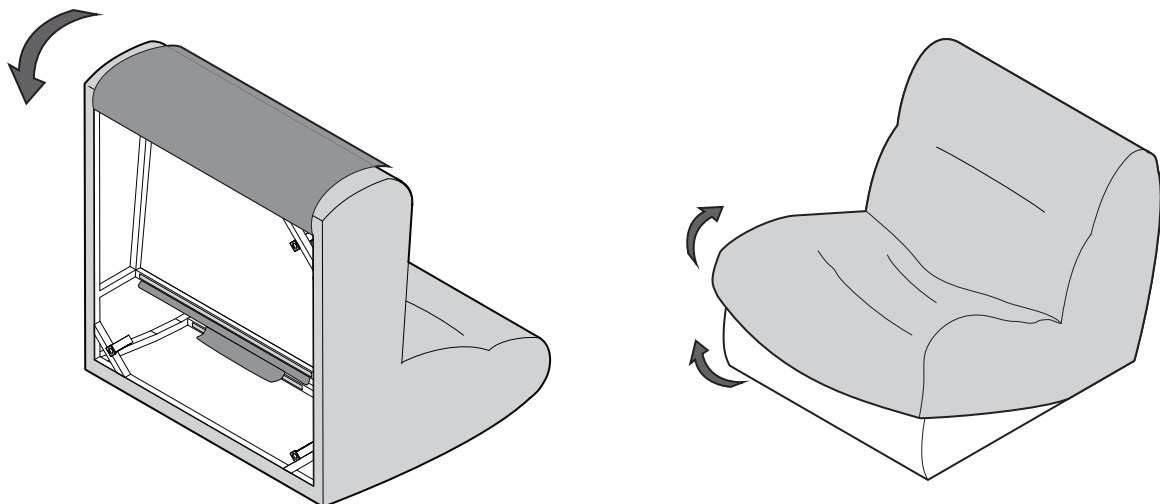
2



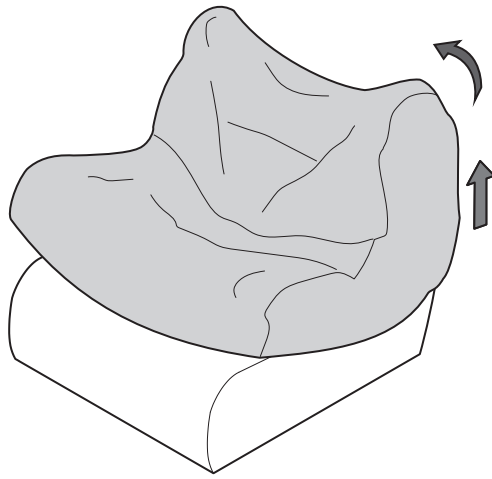
3



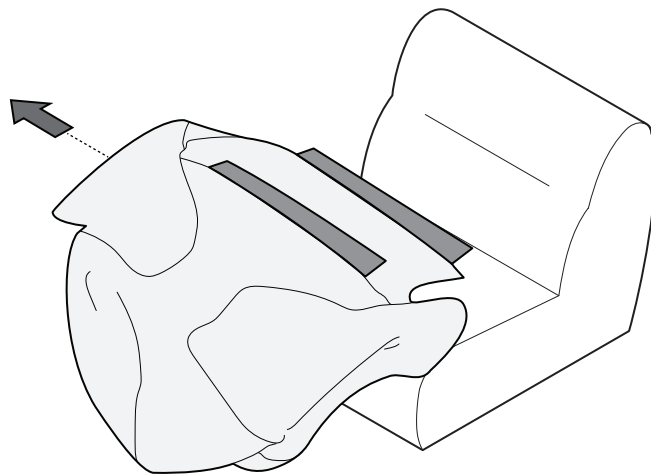
4



5

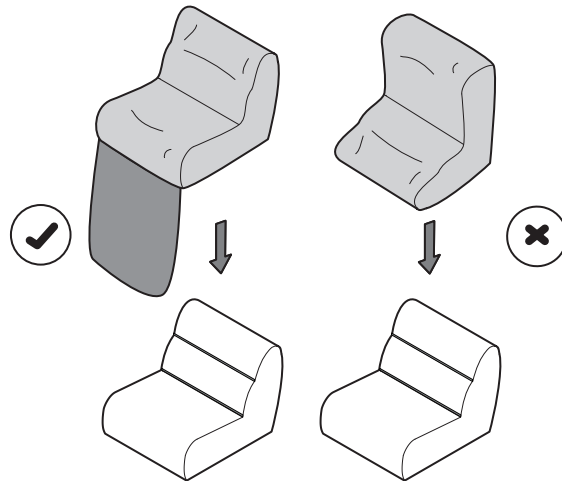


6



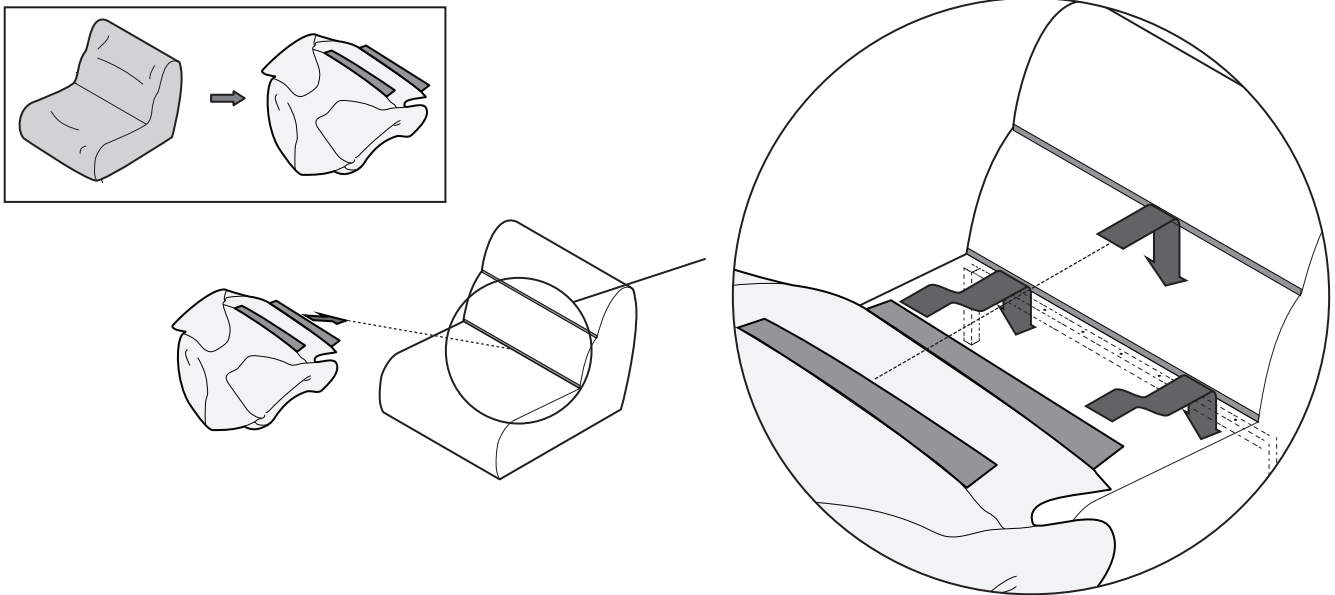
Cover Installation: Chair | 2-Seater

1

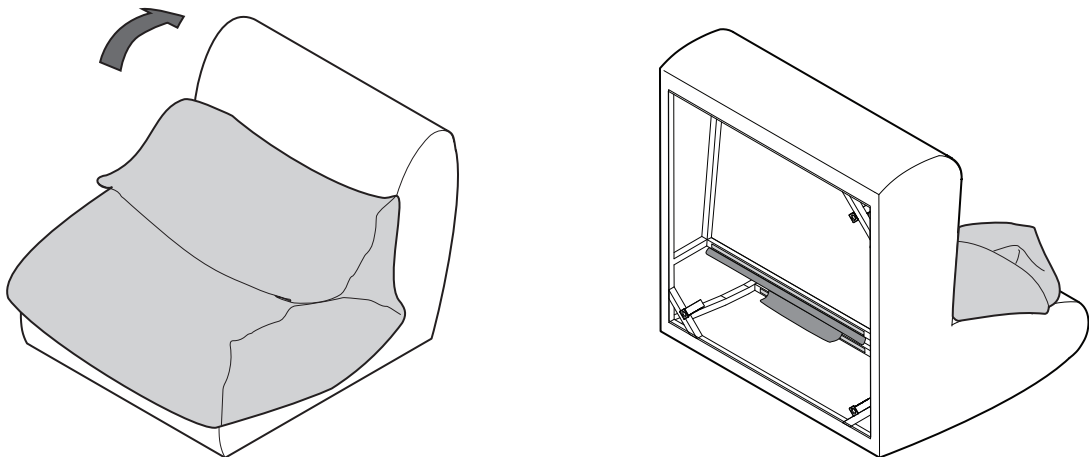


Line up side panels of cover and module before applying cover

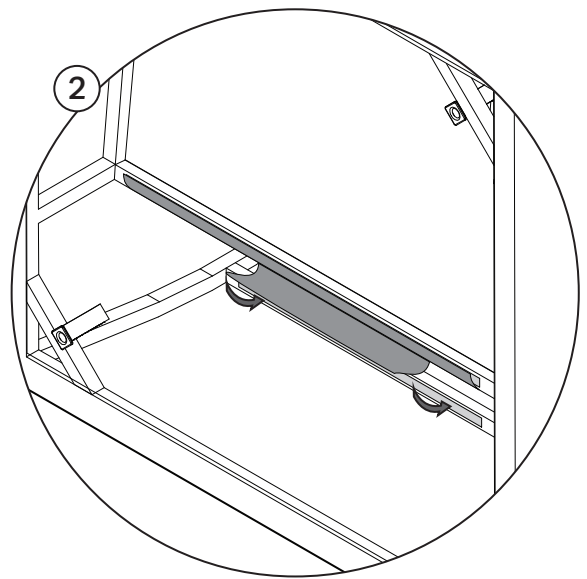
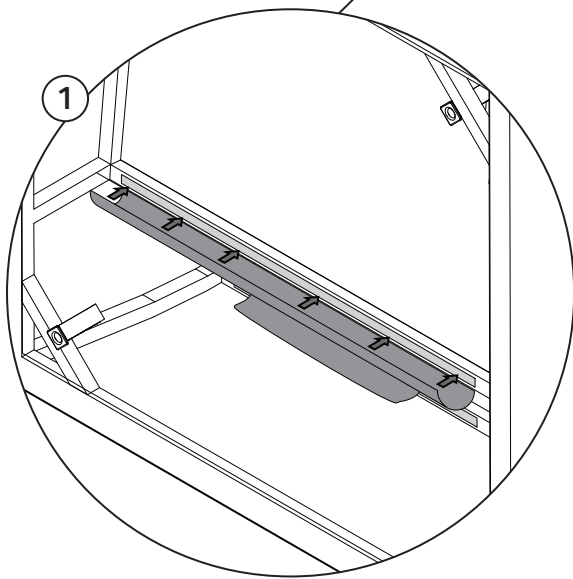
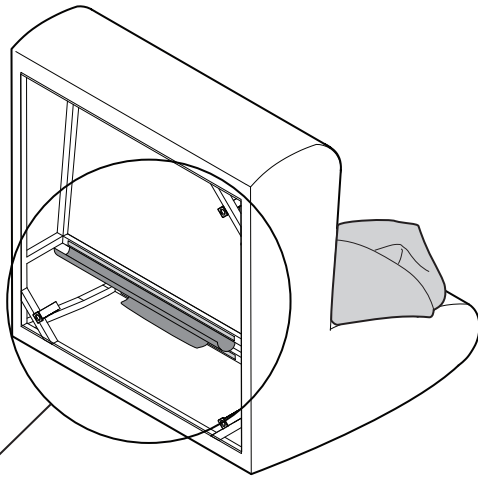
2



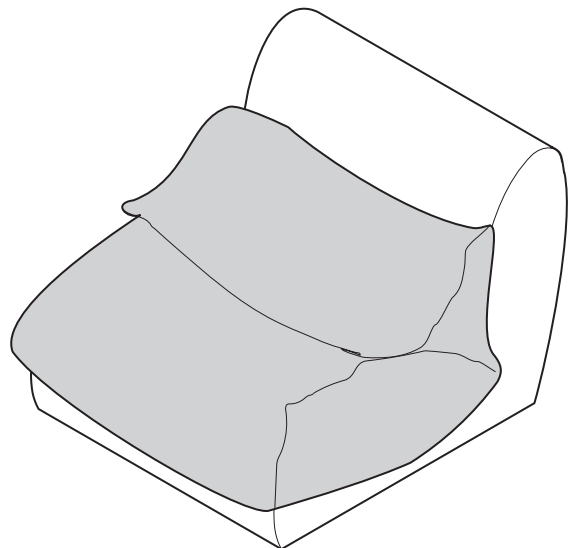
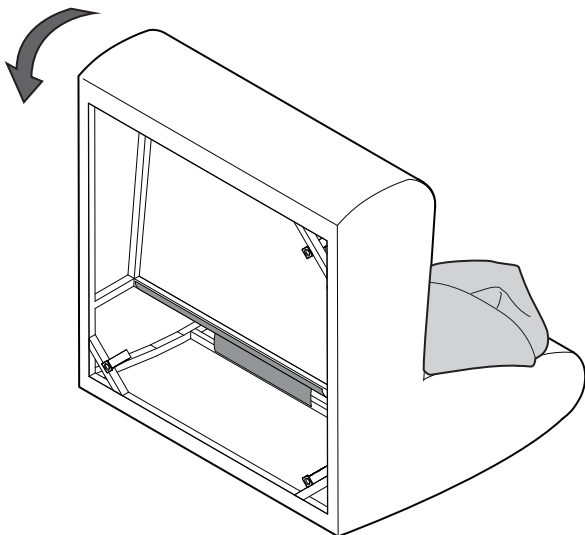
3



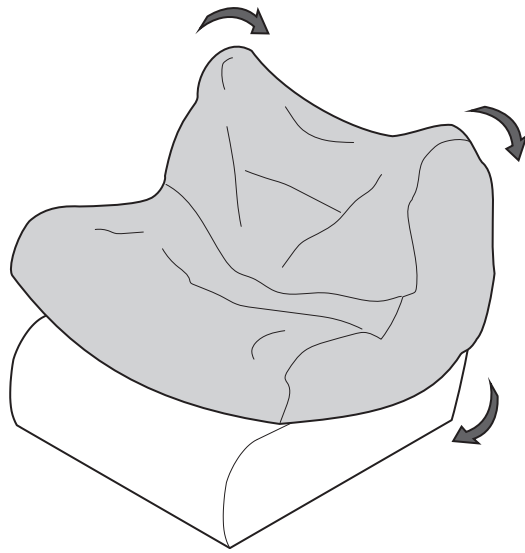
4



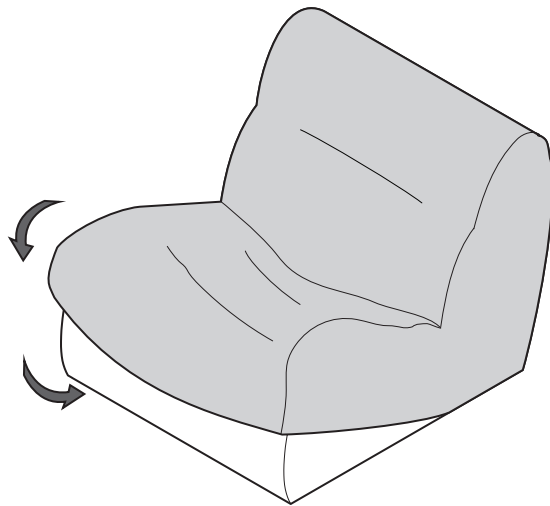
5



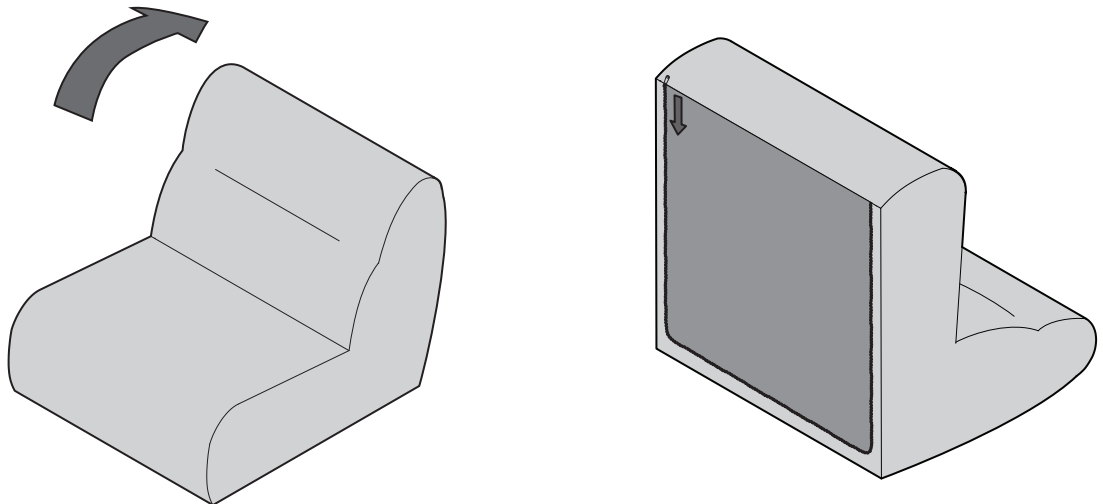
6



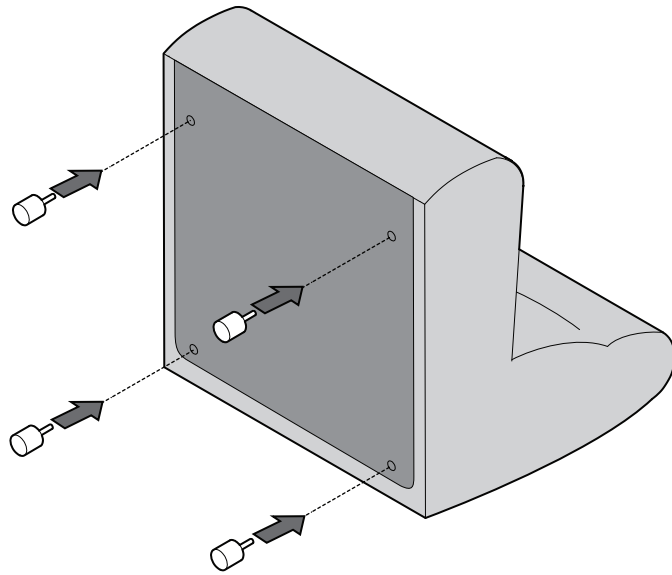
7



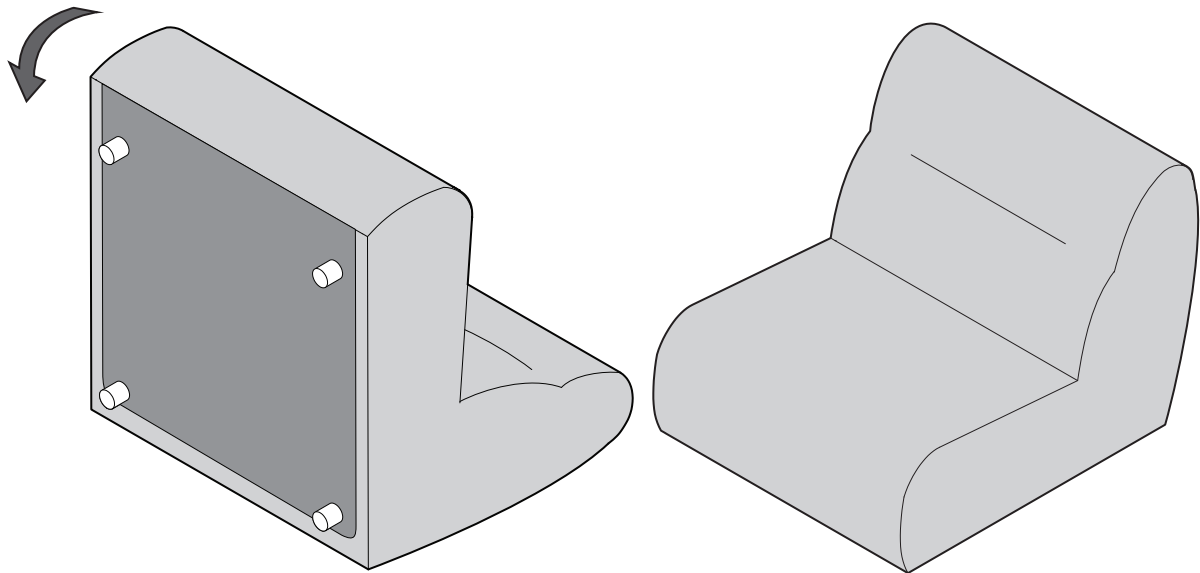
8



9

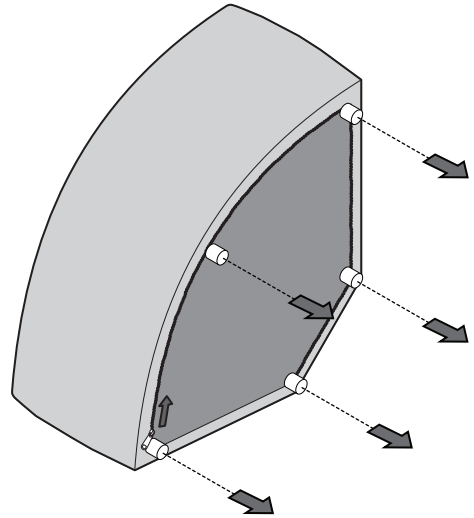
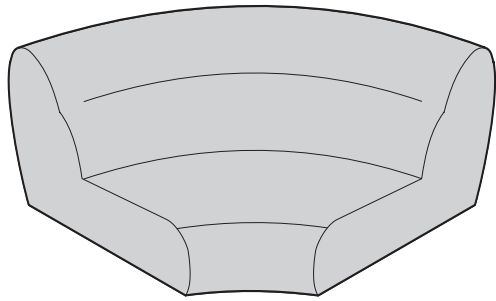


10

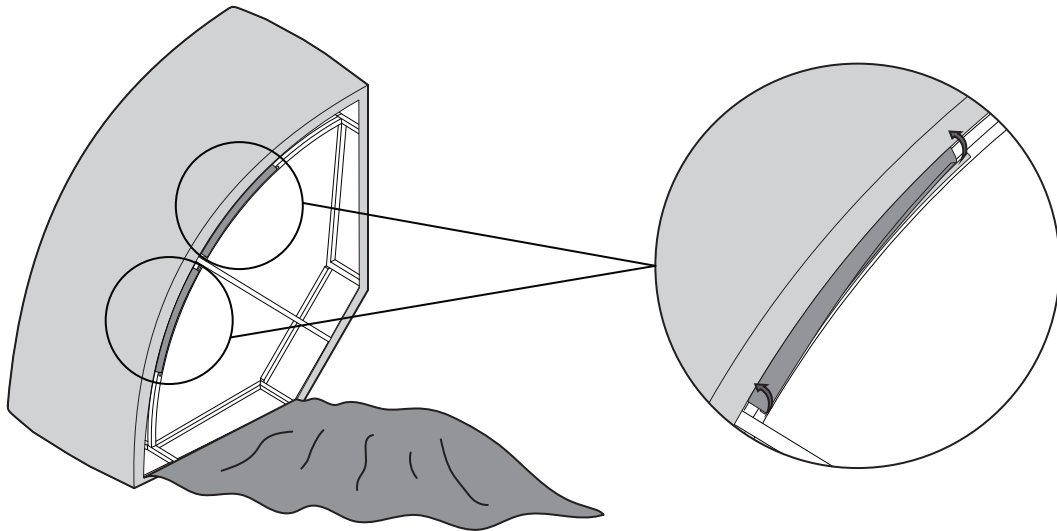


Cover Removal: Curve

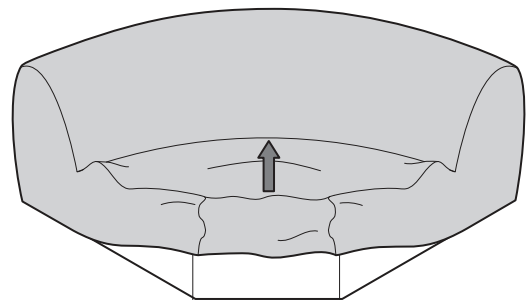
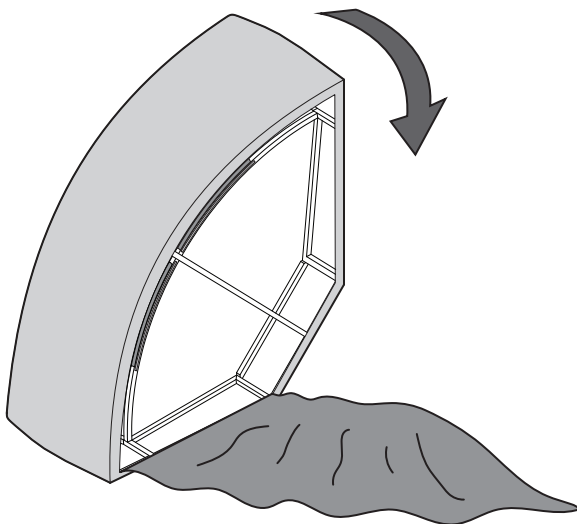
1



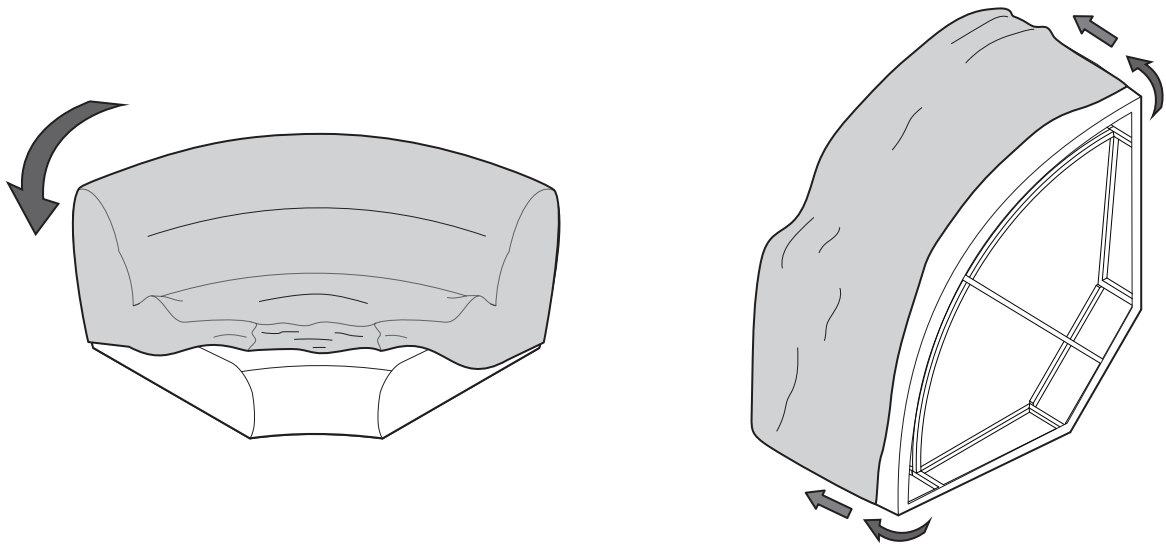
2



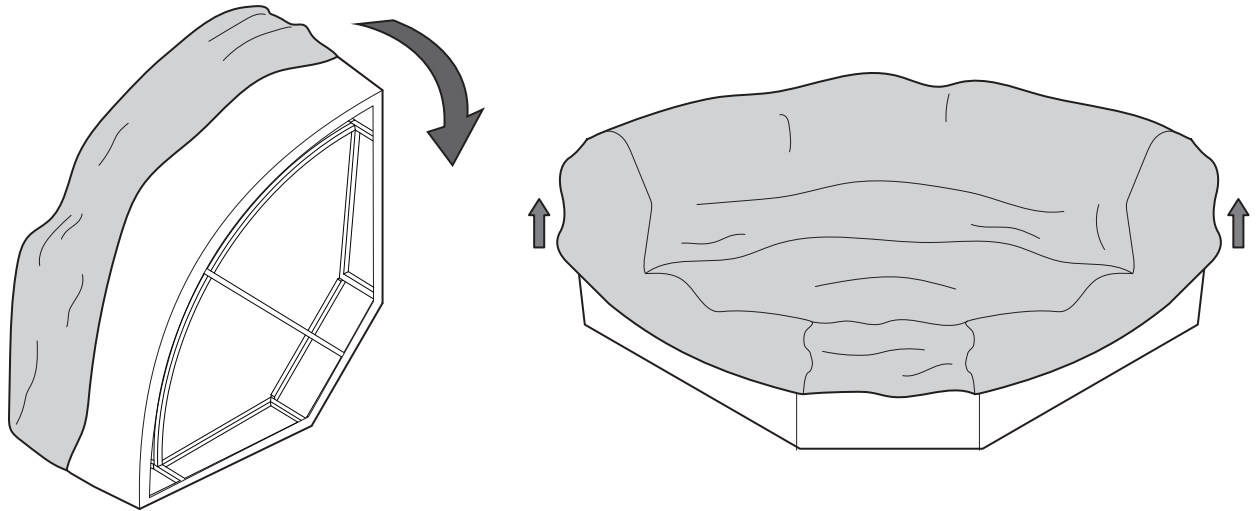
3



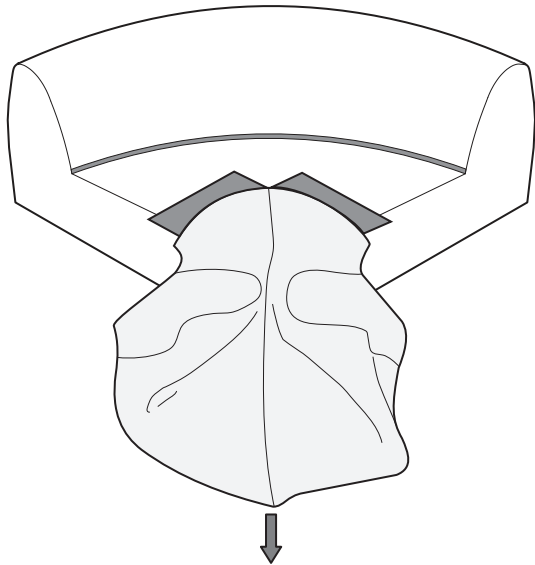
4



5

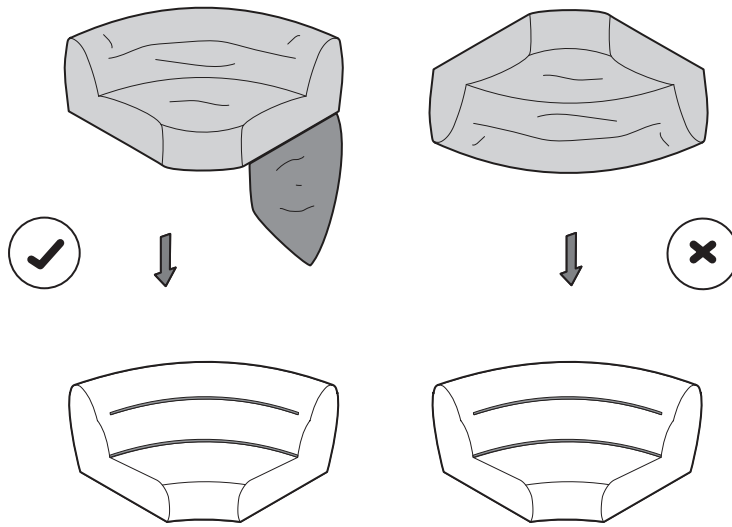


6



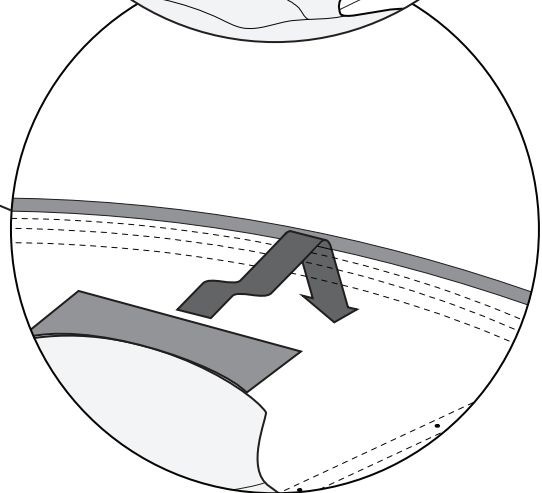
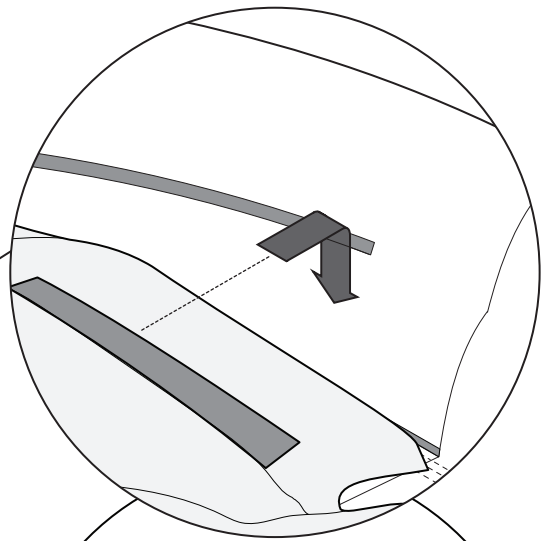
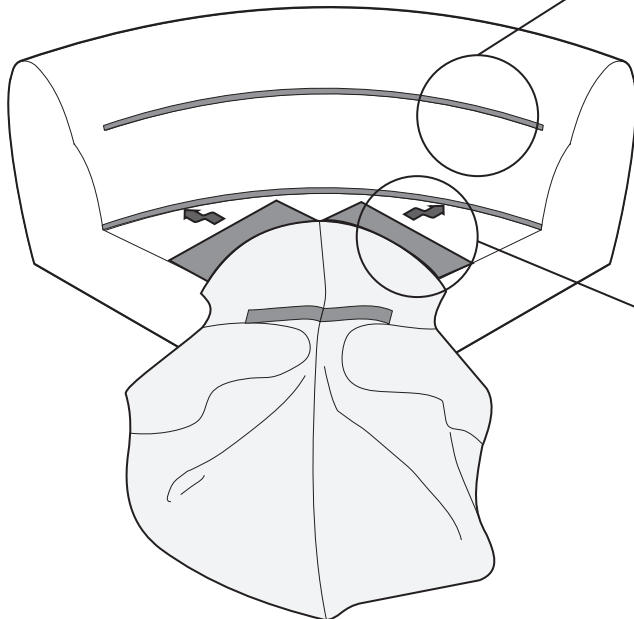
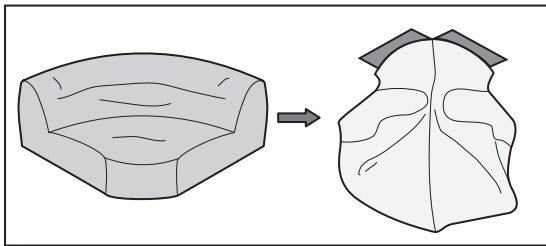
Cover Installation: Curve

1

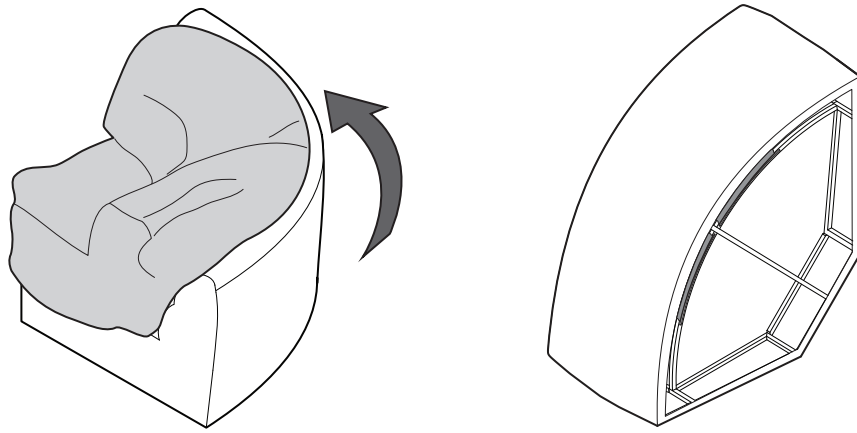


Line up side panels of cover and module before applying cover

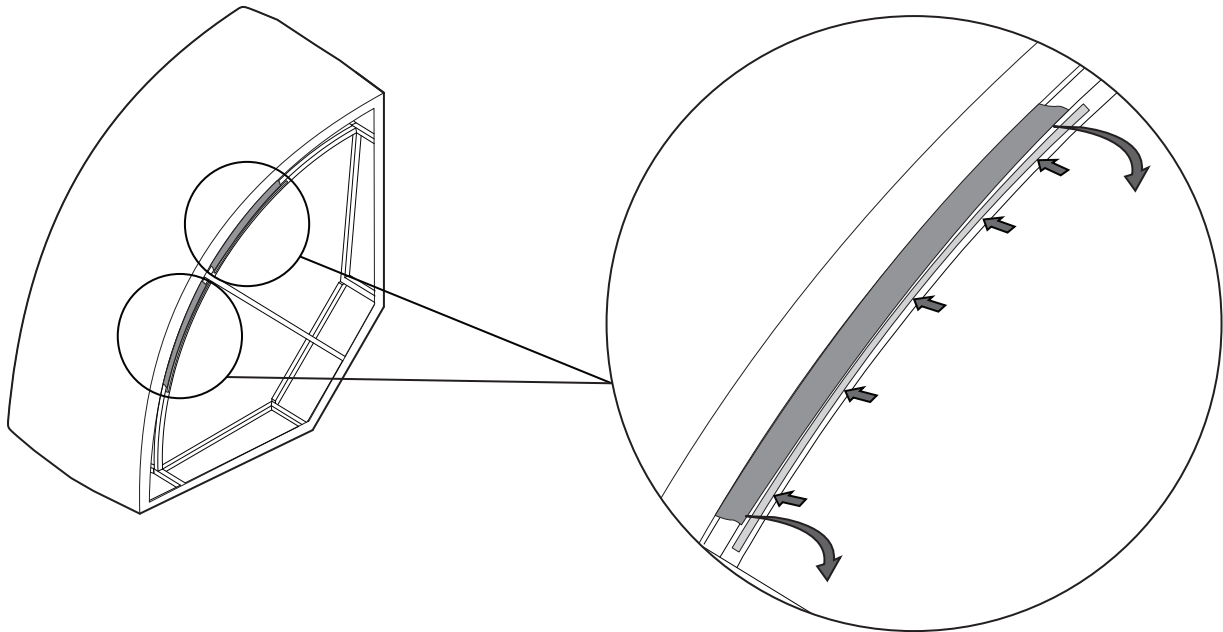
2



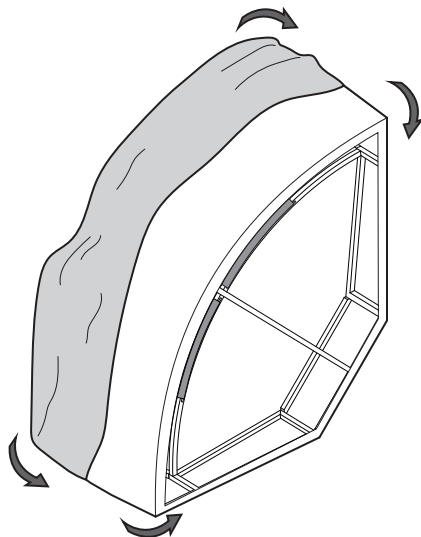
3



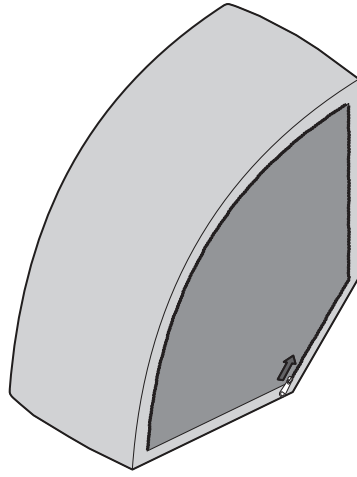
4



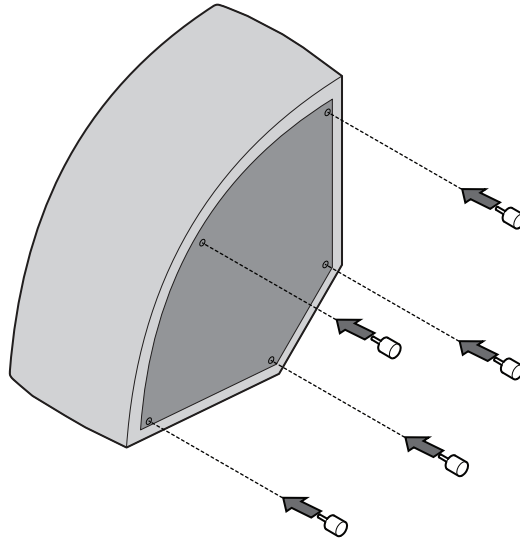
5



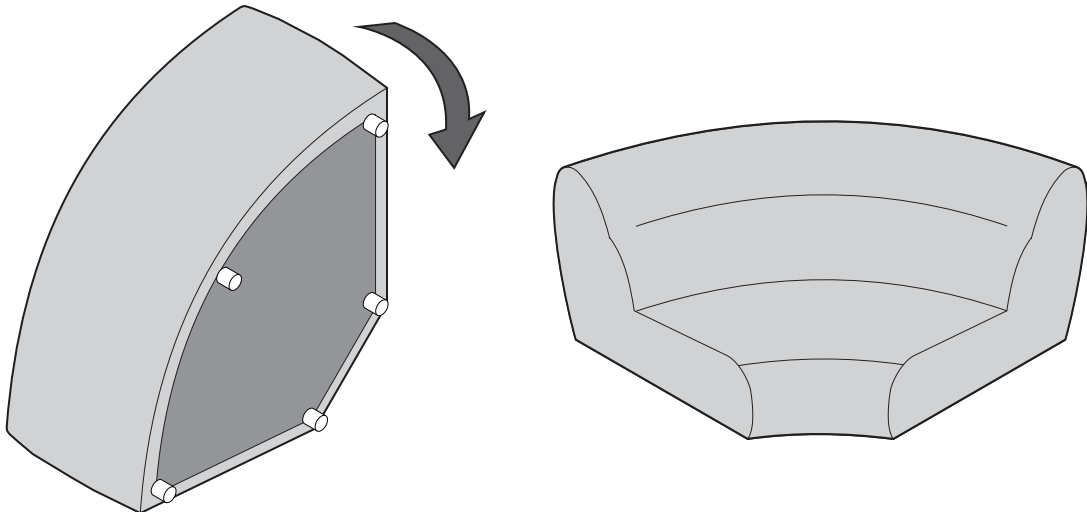
6



7

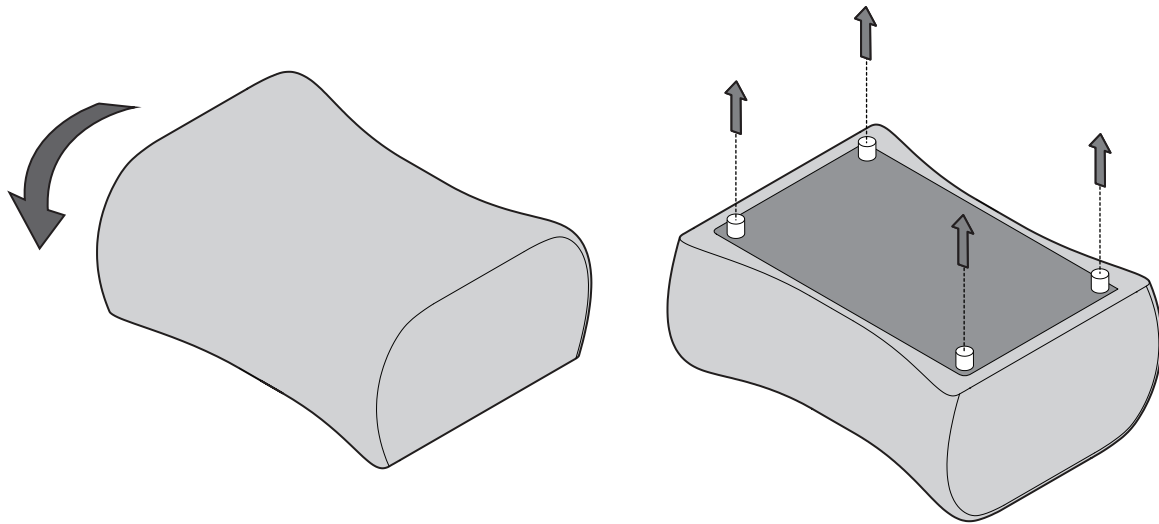


8

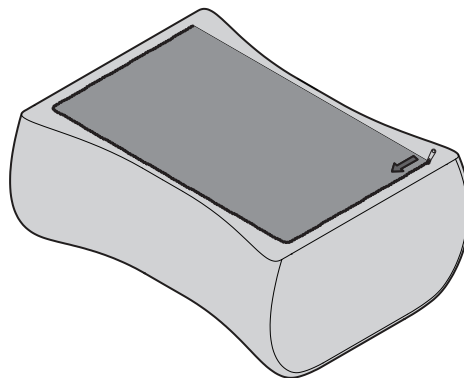


Cover Removal: Ottoman

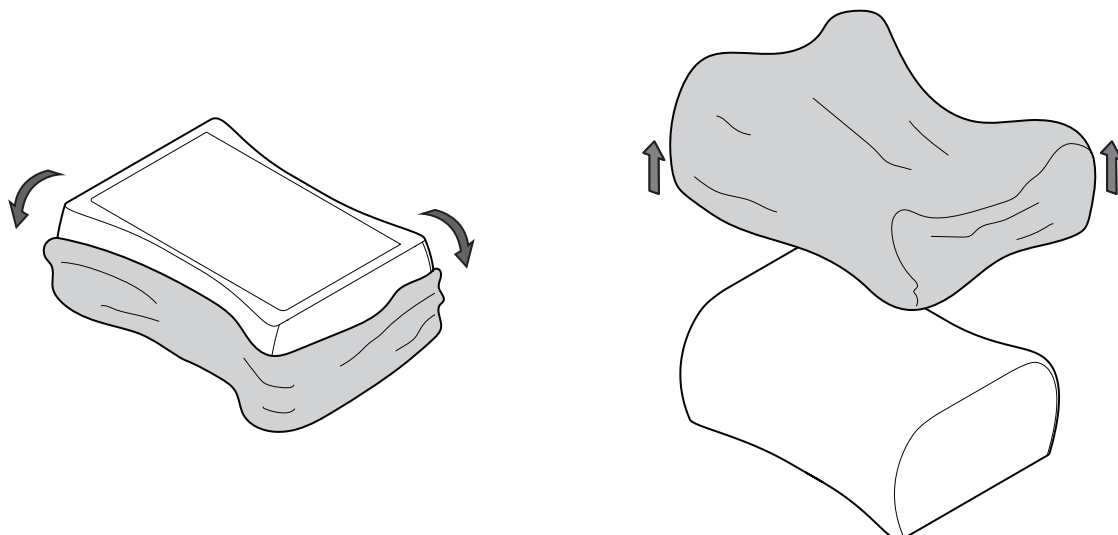
1



2

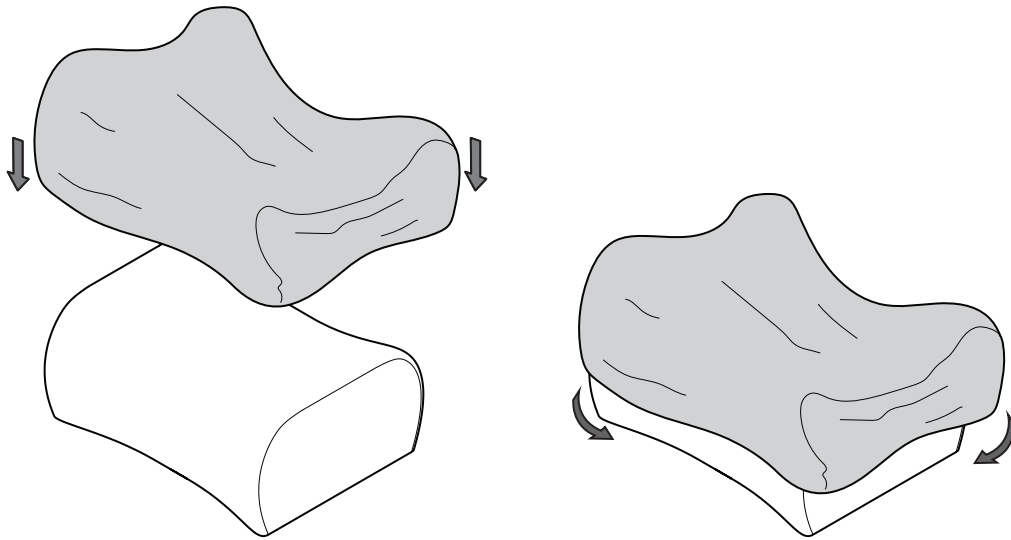


3

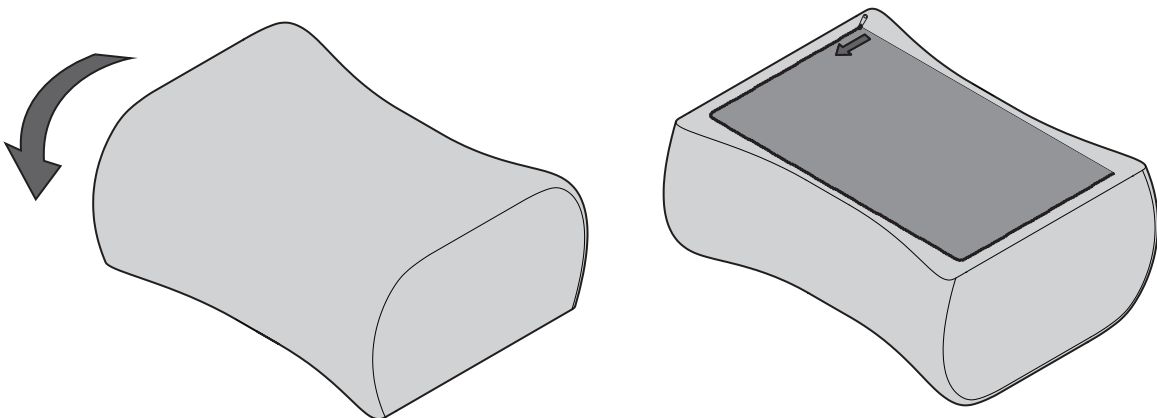


Cover Installation: Ottoman

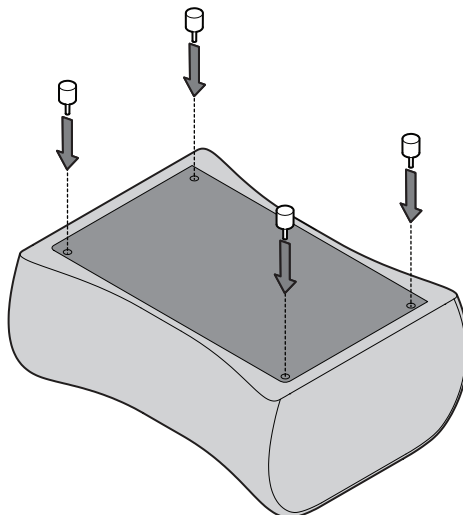
1



2



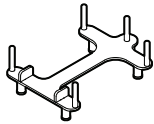
3



Arm Installation

Arm Bracket

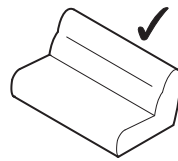
Compatible* for left-hand or right-hand configurations:



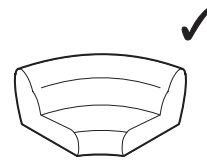
Short
Bracket



High Back
Chair



High Back
2-Seater

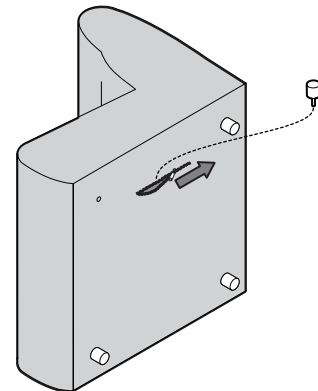
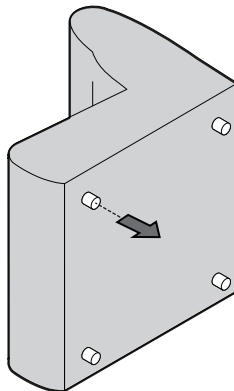
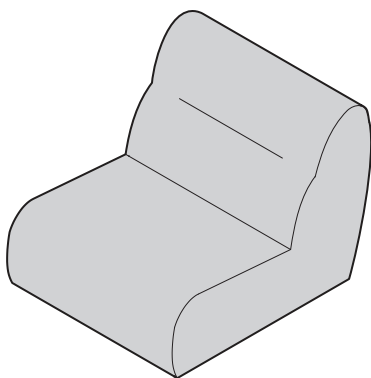


High Back
Curve

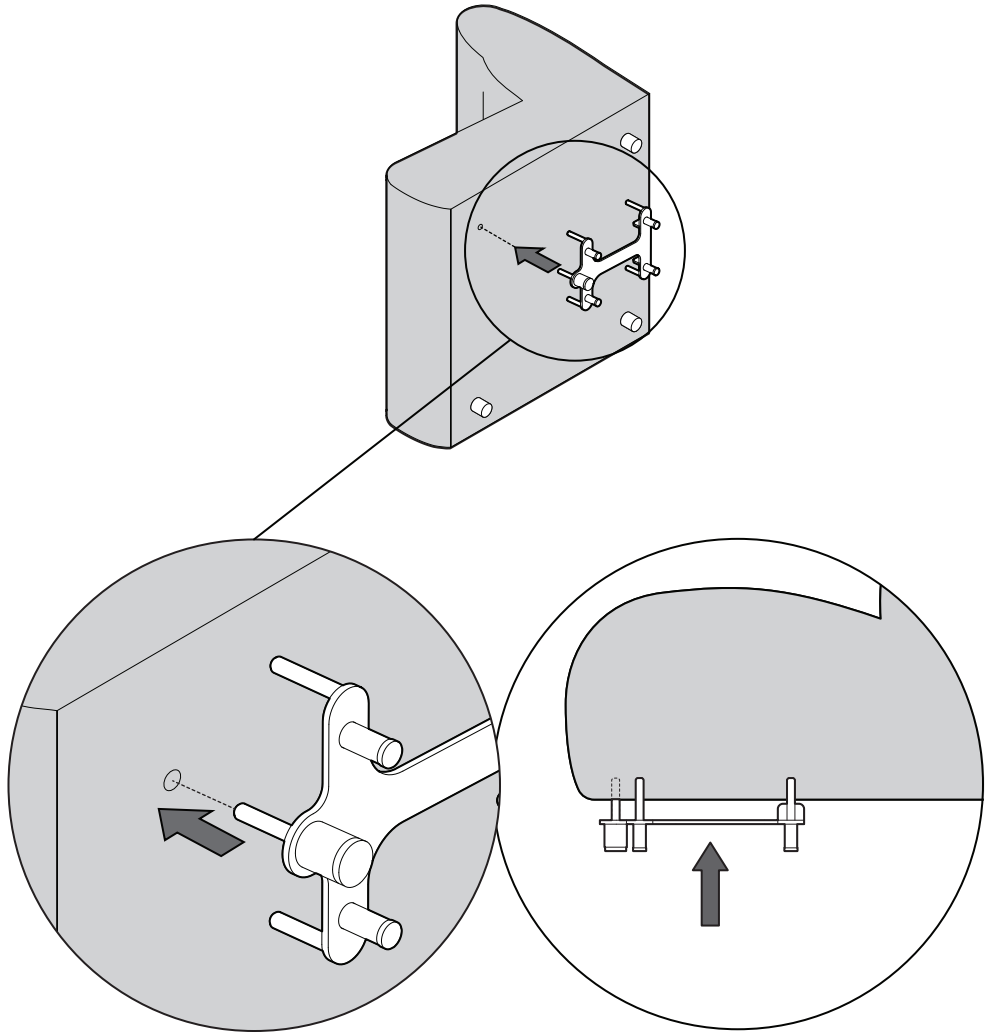
*Arm Bracket compatible with Standard Fixed Height Legs only: 45mm (1.75")
Not compatible with Height Adjustable Legs

Assembly: Chair | 2-Seater

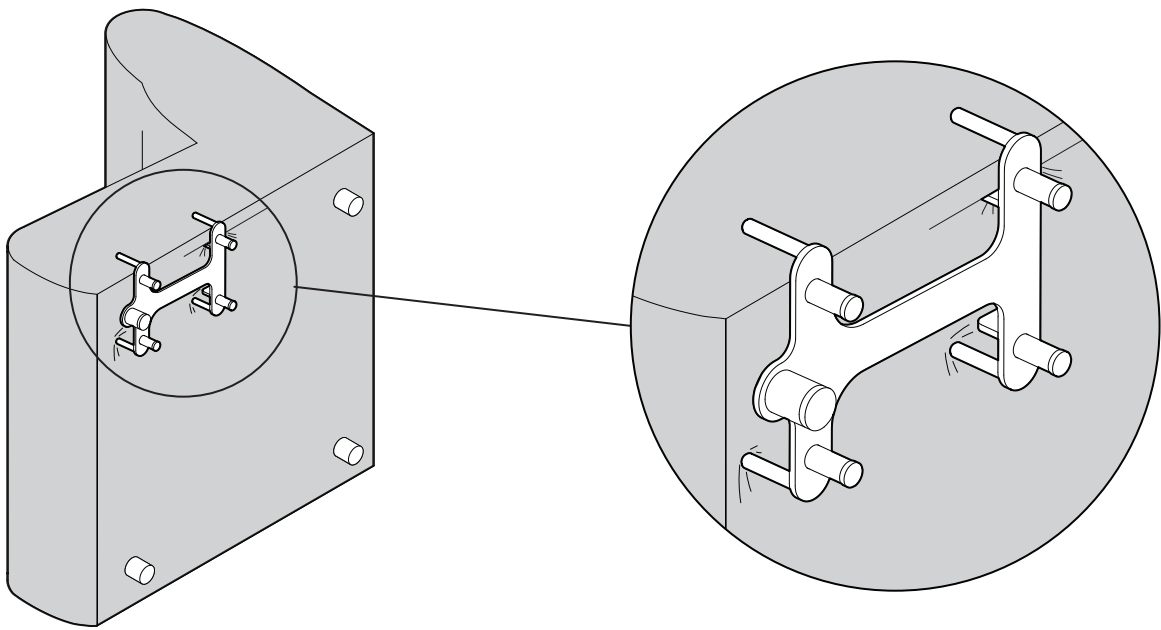
1



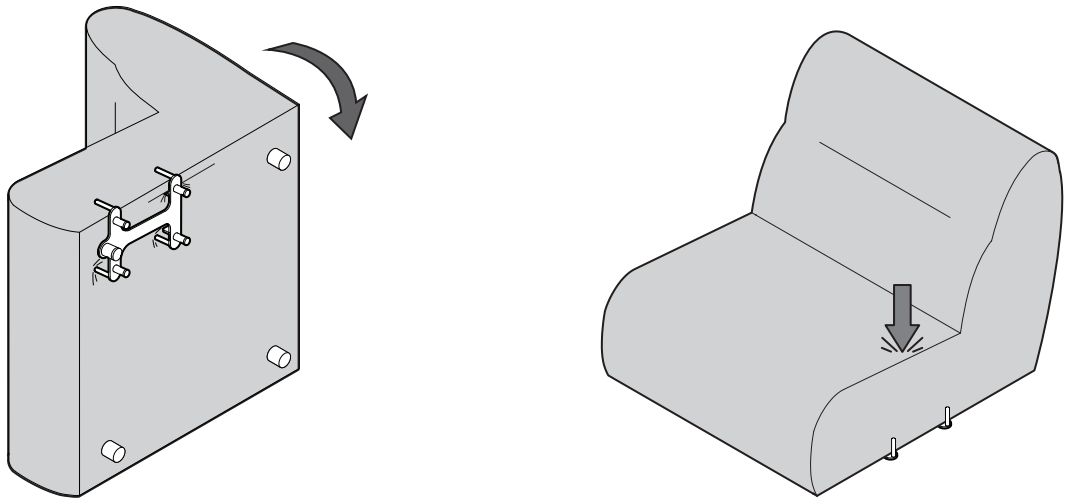
2



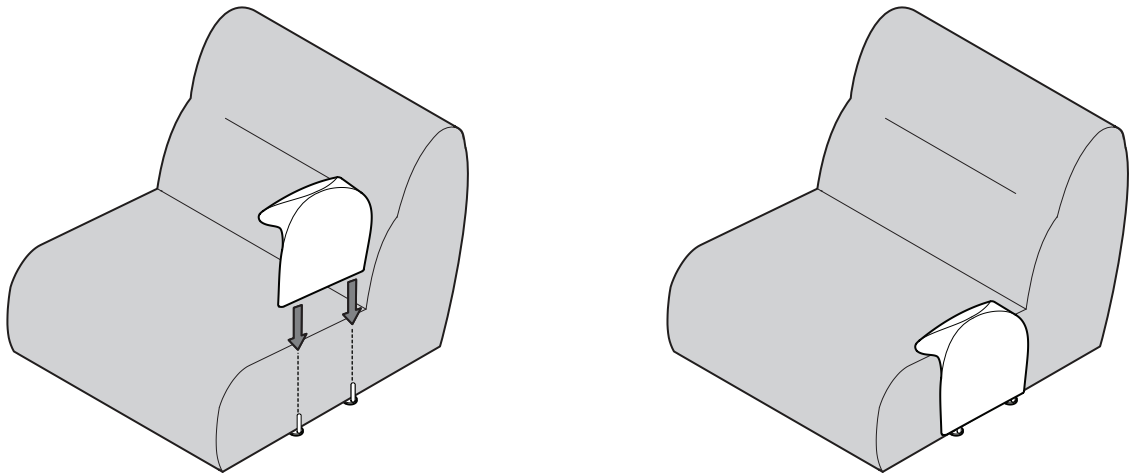
3



4

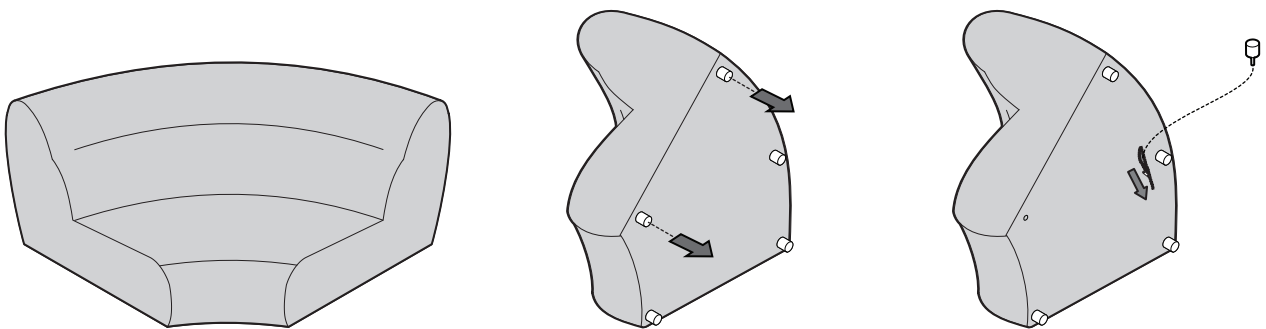


5

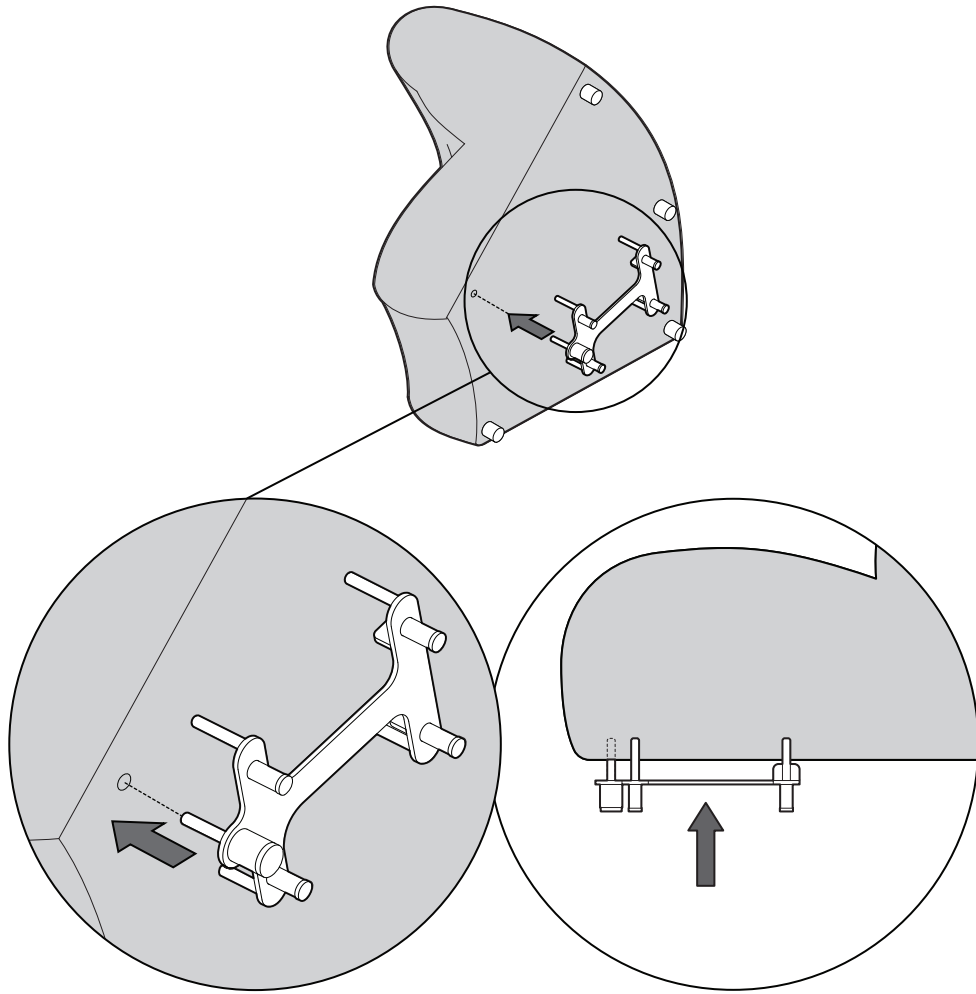


Assembly: Curve

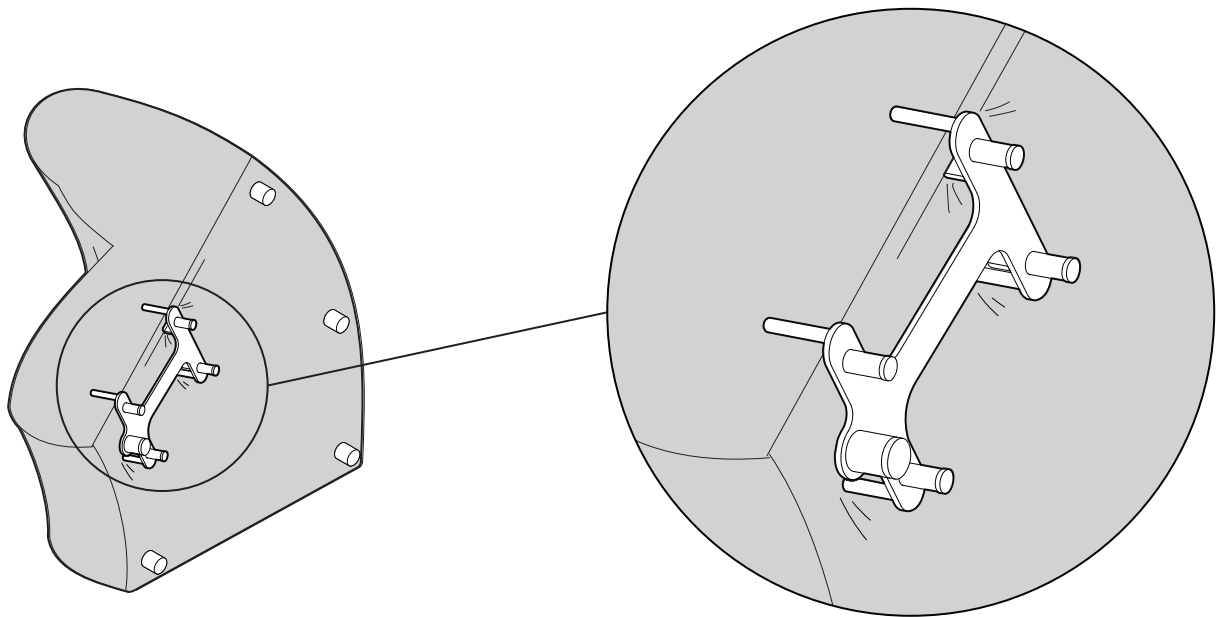
1



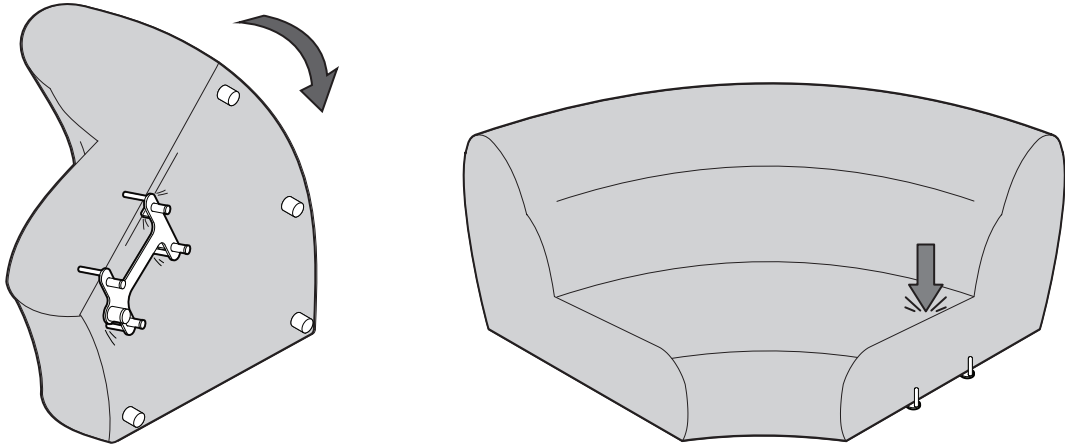
2



3



4



5

